

BuzziBlox
Soundabsorbing Wall Panel

asset
space becomes place



BuzziBlox

Product Specification Sheet

This document contains technical information about the BuzziBlox






BuzziBlox is a group of acoustic panels with different depths, developed to tune a room in the speech spectrum range and especially in the low and mid- frequencies.


By using alternating depths, the absorption of the different wavelengths into the thick layers of foam will be improved and make sure that the waves don't reflect into the room again. This diffusion effect will give the room a more pleasant sound experience. When placed against a wall, the Blox has more the appearance of a piece of art while fully maintaining its initial purpose: to control and monitor the sound in any given room, from a recording studio to an office or a public space.

Design by BuzziSpace Studio

General

-  BuzziBlox Square | Rectangular | Hexa | Penta | Wedge
Wall mounted or ceiling pendant

-  Frame: Poplar Multiplex
Filling: Acoustic foam + Dacron
-  Cover: Fabric, Trevira CS+ | CS, Revive 1, Clara 2, Remix 3, Hero, Tonus 4, Memory 2
Back: Black textile

-  If installing on suspended ceiling, verify load capacity prior to installation.

Acoustics



Absorption



Low tone



Mid tones



High tones

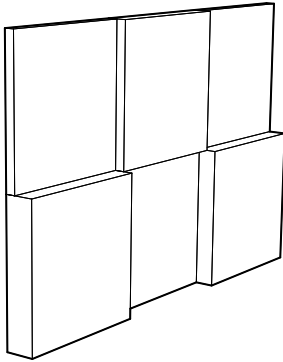
Content

Configurations	3
Fabrics	8
Fixing Systems	11
Dimensions BuzziBlox	12
Dimensions fixing points	16
Acoustics	17

Configurations

BuzziBlox Square

Example composition (can be bought per piece)



Frame: Poplar Multiplex
Filling: Acoustic foam + Dacron
Cover: Fabric, Trevira CS+ |CS, Revive 1, Clara 2, Remix 3, Hero, Tonus 4, Memory 2
Back: Black textile

SQ-4: W 59,5 cm H 59,5 cm D 4 cm
W 23.43" H 23.43" D 1.57"

SQ-8: W 59,5 cm H 59,5 cm D 8 cm
W 23.43" H 23.43" D 3.15"

SQ-12: W 59,5 cm H 59,5 cm D 12 cm
W 23.43" H 23.43" D 4.72"

SQ-4: 1,6 kg
3.53 lbs

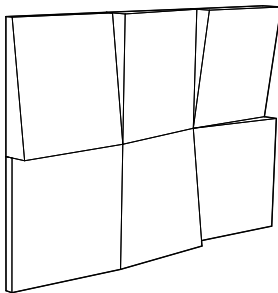
SQ-8: 2,7 kg
5.95 lbs

SQ-12: 3,8 kg
8.36 lbs

... Fixing system ceiling pendant (optional)

BuzziBlox Square Wedge

Example composition (can be bought per piece)



Frame: Poplar Multiplex
Filling: Acoustic foam + Dacron
Cover: Fabric, Trevira CS+ |CS, Revive 1, Clara 2, Remix 3, Hero, Tonus 4, Memory 2
Back: Black textile

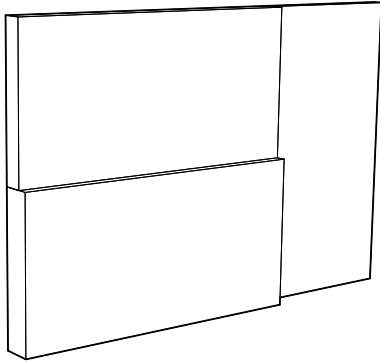
SQ-Wedge: W 59,5 cm H 59,5 cm D 4 to 12 cm
W 23.43" H 23.43" D 1.57" to 4.72"

SQ-Wedge: 2,9 kg
3.53 lbs

... Fixing system ceiling pendant (optional)

BuzziBlox Rectangular

Example composition (can be bought per piece)



Frame: Poplar Multiplex

Filling: Acoustic foam + Dacron

🌲 Cover: Fabric, Trevira CS+ | CS, Revive 1, Clara 2, Remix 3, Hero, Tonus 4, Memory 2
Back: Black textile

R-4: W 119 cm H 59,5 cm D 4 cm
W 46.85" H 23.43" D 1.57"

R-8: W 119 cm H 59,5 cm D 8 cm
W 46.85" H 23.43" D 3.15"

✂ R-12: W 119 cm H 59,5 cm D 12 cm
W 46.85" H 23.43" D 4.72"

RXL-8: W 200 cm H 100 cm D 8 cm
W 78.74" H 39.37" D 3.15"

RXL-12: W 200 cm H 100 cm D 12 cm
W 78.74" H 39.37" D 4.72"

R-4: 3 kg
6.38 lbs

R-8: 4,5 kg
9.90 lbs

⚖ R-12: 6,5 kg
14.33 lbs

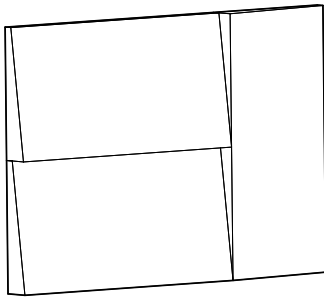
RXL-8: 13,5 kg
29.8 lbs

RXL-12: 15,5 kg
34.2 lbs

⋯ Fixing system ceiling pendant (optional, not for RXL).

BuzziBlox Rectangular Woss (Wedge on short side)

Example composition (can be bought per piece)



Frame: Poplar Multiplex

Filling: Acoustic foam + Dacron

🌲 Cover: Fabric, Trevira CS+ | CS, Revive 1, Clara 2, Remix 3, Hero, Tonus 4, Memory 2
Back: Black textile

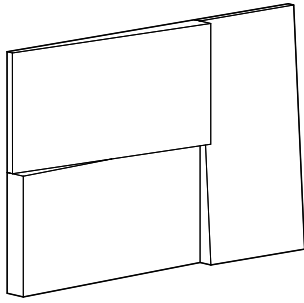
✂ R-Woss: W 119 cm H 59,5 cm D 4 to 12 cm
W 46.85" H 23.43" D 1.57" to 4.72"

⚖ R-Woss: 4,8 kg
10.58 lbs

⋯ Fixing system ceiling pendant (optional, not for RXL)

BuzziBlox Rectangular Wols (Wedge on long side)

Example composition (can be bought per piece)



Frame: Poplar Multiplex

Filling: Acoustic foam + Dacron

🌲 Cover: Fabric, Trevira CS+ |CS, Revive 1, Clara 2, Remix 3, Hero, Tonus 4, Memory 2
Back: Black textile

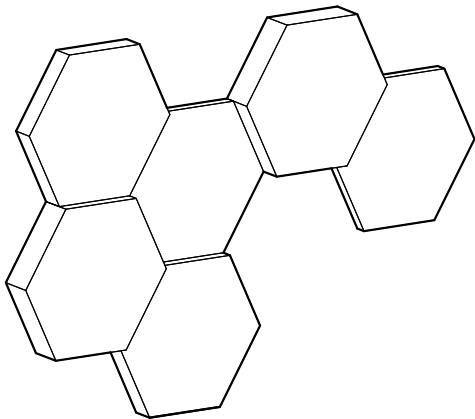
✂ R-Wols: W 119 cm H 59,5 cm D 4 to 12 cm
W 46.85" H 23.43" D 1.57" to 4.72"

⚖ R-Wols: 4,8 kg
10.58 lbs

⋮ Fixing system ceiling pendant (optional)

BuzziBlox Hexa

Example composition (can be bought per piece)



Frame: Poplar Multiplex

Filling: Acoustic foam + Dacron

🌲 Cover: Fabric, Trevira CS+ |CS, Revive 1, Clara 2, Remix 3, Hero, Tonus 4, Memory 2
Back: Black textile

Hexa-4: W 60 cm H 69,3 cm D 4 cm
W 23.62" H 27.28" D 1.57"

✂ Hexa-8: W 60 cm H 69,3 cm D 8 cm
W 23.62" H 27.28" D 3.15"

Hexa-12: W 60 cm H 69,3 cm D 12 cm
W 23.62" H 27.28" D 4.72"

Hexa-4: 1,5 kg
3.31 lbs

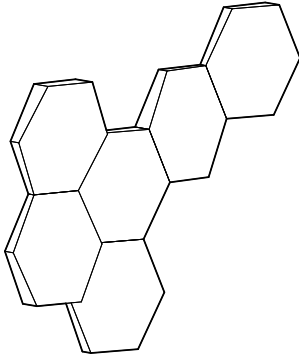
⚖ Hexa-8: 2,3 kg
5.07 lbs

Hexa-12: 3,2 kg
7.05 lbs

⋮ Fixing system ceiling pendant (optional)

BuzziBlox Hexa Wedge

Example composition (can be bought per piece)



Frame: Poplar Multiplex

Filling: Acoustic foam + Dacron

🌲 Cover: Fabric, Trevira CS+ |CS, Revive 1, Clara 2, Remix 3, Hero, Tonus 4, Memory 2
Back: Black textile

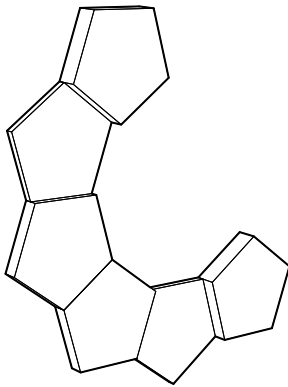
✂ Hexa Wedge: W 60 cm H 69,3 cm D 4 to 12 cm
W 23.62" H 27.28" D 1.57" to 4.72"

⚖ Hexa Wedge: 2,5 kg
5.51 lbs

⋮ Fixing system ceiling pendant (optional)

BuzziBlox Penta

Example composition (can be bought per piece)



Frame: Poplar Multiplex

Filling: Acoustic foam + Dacron

🌲 Cover: Fabric, Trevira CS+ |CS, Revive 1, Clara 2, Remix 3, Hero, Tonus 4, Memory 2
Back: Black textile

Penta-4: W 60 cm H 63 cm D 4 cm
W 23.62" H 24.84" D 1.57"

✂ Penta-8: W 60 cm H 63 cm D 8 cm
W 23.62" H 24.84" D 3.15"

Penta-12: W 60 cm H 63 cm D 12 cm
W 23.62" H 24.84" D 4.72"

Penta-4: 1,3 kg
2.87 lbs

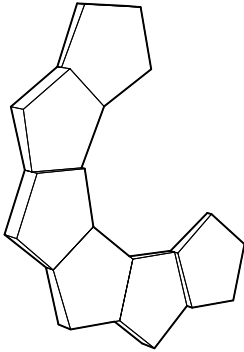
⚖ Penta-8: 2,1 kg
4.63 lbs

Penta-12: 3 kg
6.61 lbs

⋮ Fixing system ceiling pendant (optional)

BuzziBlox Penta Wedge

Example composition (can be bought per piece)



Frame: Poplar Multiplex

Filling: Acoustic foam + Dacron



Cover: Fabric, Trevira CS+ |CS, Revive 1,
Clara 2, Remix 3, Hero, Tonus 4, Memory 2
Back: Black textile



Penta Wedge: W 60 cm H 63 cm D 4 to 12 cm
W 23.62" H 24.84" D 1.57" to 4.72"



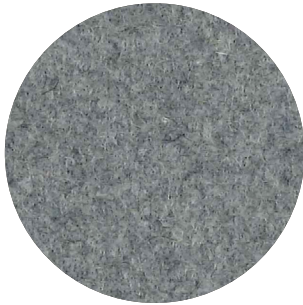
Penta Wedge: 2,3 kg
5.07 lbs



Fixing system ceiling pendant (optional)

Fabrics

Fabric



Category A

Composition 70% Recycled Wool, 25% Recycled Polyacryl,
5% Recycled Other Fabrics

Weight 405 g/m² | 11.94 oz/yd²

Abrasion resistance 40.000 Martindale, 50,000 Wyzenbeek

Flammability EU: EN 1021.1/2006 | BS EN 1021.1/2006 (cigarette).
EN 1021.2/2006 | BS EN 1021.2/2006 (match)
USA: CAL TB 117 | ASTM E84 CLASS A

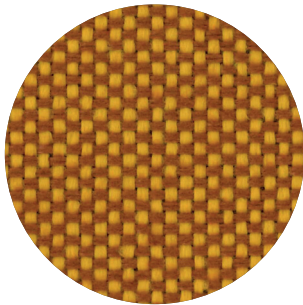
Fastness to light EU 4 | USA 4

Fastness to rubbing EU: Wet 3-4 | Dry 4-5

Fastness to crocking USA: Wet 5 | Dry 5



Trevira CS+ | CS



Category A

Weight 420 g/m² | 12.39 oz/yd²

Composition 100% Polyester, Trevira CS

Abrasion resistance 100.000 Martindale, 90,000 Wyzenbeek

Flammability BS 5852 part II: CRIB 5 | BS 7176 Medium Hazard
USA: CAL TB 117 | M1 | B1 | EN 1021/1-2 | C1 |
EN 1021/1-2
IMO Res. A652 (16)

Fastness to light EU: 6 | USA 5

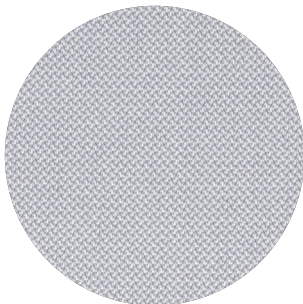
Fastness to rubbing EU: Wet 4-5 | Dry 4-5

Fastness to crocking USA: Wet 5 | Dry 5



Revive 1

kvadrat



Category A

Composition 100% recycled polyester FR

Weight 430 g/lin.m

Abrasion resistance 60.000 Martindale rubs, EN ISO 12947

Flammability EN 1021-1/2 | DIN 4102 B1 | Önorm B1/Q1
UNI 9175 1IM | US Cal. Tech. Bull. 117
IMO A.652 (16)

Fastness to light Note 5-7, ISO 105-B02

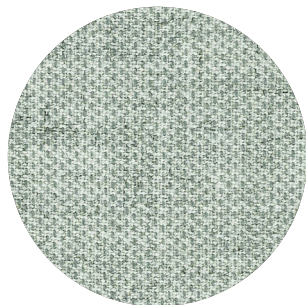
Fastness to rubbing (ISO) dry 5, wet 4-5

Pilling Note 4-5, EN ISO 12945



Clara 2

kvadrat



Category B

Composition 92% new wool, 8% nylon

Weight 400 g/lin.m

Abrasion resistance 80.000 Martindale rubs, EN ISO 12947

Flammability EN 1021-1/2 | BS 5852, ignition source 2-3 | DIN 4102 B2
NF D 60 013 | UNI 9175 11M | US Cal. Tech. Bull. 117, Sec. E
NFPA 260 | IMO A.652(16)

Fastness to light Note 5-7, ISO 105-B02

Fastness to rubbing (ISO) dry 4-5, wet 4

Pilling Note 4, EN ISO 12945



Remix 3

kvadrat



Category B

Composition 90% new wool, 10% nylon

Weight 415 g/lin.m

Abrasion resistance 100.000 Martindale rubs, EN ISO 12947

Flammability EN 1021-1/2 | BS 5852 part 1
Önorm B1/Q1 | NF D 60 013 | UNI 9175, 11M
AS/NZS 1530.3 | Cal. Tech. Bull. 117-2013
NFPA 260 | IMO FTP Code 2010:Part 8

Fastness to light Note 5-7, ISO 105-B02

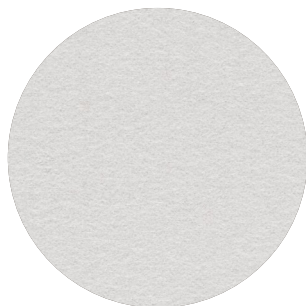
Fastness to rubbing (ISO) dry 4-5, wet 4

Pilling Note 4, EN ISO 12945



Hero

kvadrat



Category C

Composition 96% new wool, 4% nylon

Weight 580 g/lin.m

Abrasion resistance 45.000 Martindale rubs, EN ISO 12947

Flammability EN 1021-1/2 | DIN 4102 B2 | NF D 60 013
UNI 9175 11M | US Cal. Bull. 117-2013 | NFPA 260
IMO A.652 (16)

Fastness to light Note 5-6, ISO 105-B02

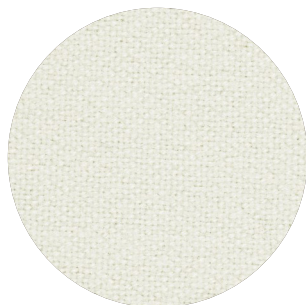
Fastness to rubbing (ISO) dry 4-5, wet 4-5

Pilling Note 3-4, EN ISO 12945



Tonus 4

kvadrat



Category D

Composition 90% new wool, 10% Helanca

Weight 665 g/lin.m

Abrasion resistance 100.000 Martindale rubs, EN ISO 12947

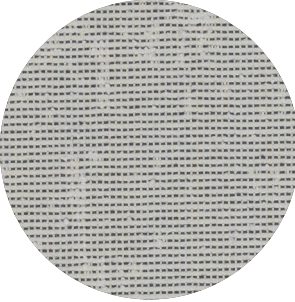
Flammability EN 1021-1/2 | BS 5852 part 1 | DIN 4102 B2
Önorm B1/Q1 | NF D 60 013 | UNI 9175 11M
US Cal. Bull. 117-2013 | NFPA 260 | IMO A.652 (16)

Fastness to light Note 5-7, ISO 105-B02

Fastness to rubbing (ISO) dry 3-5, wet 3-5

Pilling Note 3, EN ISO 12945





Category E

Composition 100% Trevira CS

Weight 700 g/lin.m

Abrasion resistance

35.000 rubs acc. to the Martindale method, EN ISO 12947

Flammability EN 1021-1/2 | DIN 4102 B1 | Önorm B1/Q1
NF D 60 013 | NF P 92 507 M1 | UNI 9175 11M
UNI 9177 classe 1 | US Cal. Tech. Bull. 117
IMO A.652 (16)

Fastness to light Note 5-8, ISO 105-B02

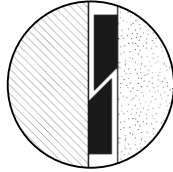
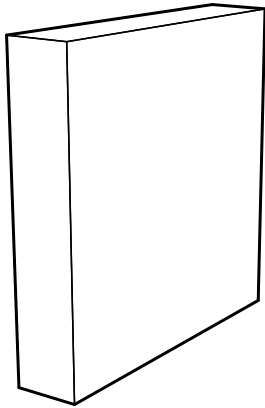
Fastness to rubbing (ISO) dry 4-5, wet 4-5

Pilling Note 4, EN ISO 12945



Fixing Systems

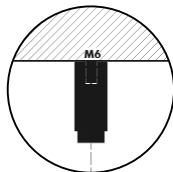
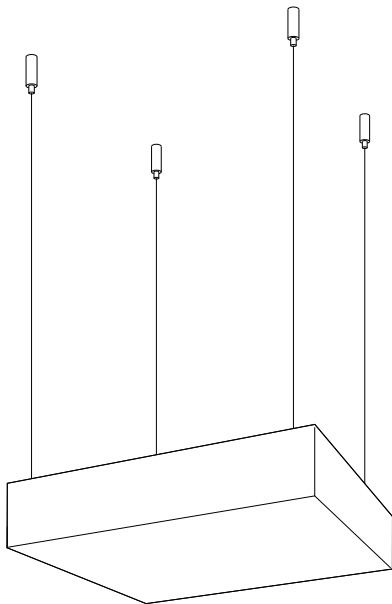
Fixing System Wall (included)



Square | Square Wedge | Hexa | Penta
 Rectangular | Rectangular Wedge

1pc
 2pcs

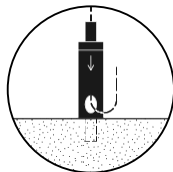
Fixing System Ceiling Pendant (optional, not for RXL)



Fixing System Screw

Square | Square Wedge |
 Rectangular |
 Rectangular Wedge:

4 cables per set, incl. fastner
 (Stair bolts M6 included)



Hexa | Penta:

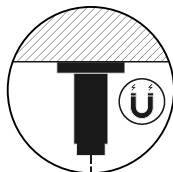
3 cables per set, incl. fastner
 (Stair bolts M6 included)

Cables:

200 or 500 cm
 78.74 or 196.85"

Color cable:

Black or Silver



Fixing System Magnet

Square | Square Wedge |
 Rectangular:

4 cables + 4 magnets*

Hexa | Penta:

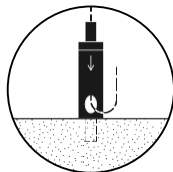
3 cables + 3 magnets*

Cables:

200 or 500 cm
 78.74 or 196.85"

Color cable:

Black or Silver

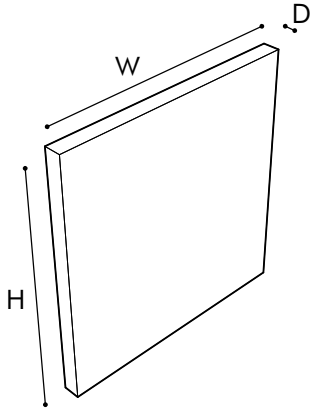


*1 magnet (Ø 3,2 cm H 0,8 cm | Ø 1.26" H 0.31") can take up to 10 kg | 22.05 lbs when hanging on a solid metal surface.

Dimensions BuzziBlox

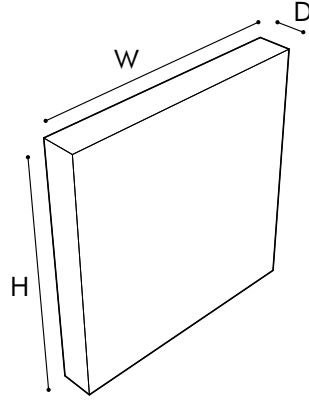
BuzziBlox Square

SQ-4



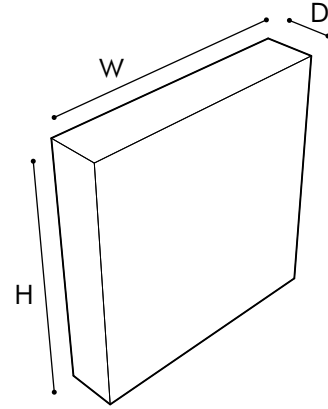
SQ-4 W 59,5 cm H 59,5 cm D 4 cm
W 23.43" H 23.43" D 1.57"

SQ-8



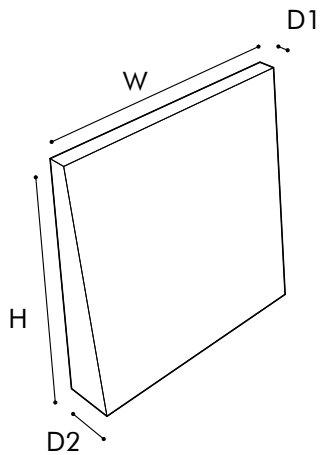
SQ-8 W 59,5 cm H 59,5 cm D 8 cm
W 23.43" H 23.43" D 3.15"

SQ-12



SQ-12 W 59,5 cm H 59,5 cm D 12 cm
W 23.43" H 23.43" D 4.72"

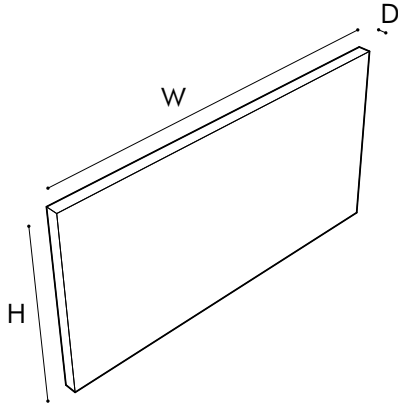
SQ-Wedge



SQ-Wedge W 59,5 cm H 59,5 cm
D1 4 cm D2 12 cm
W 23.43" H 23.43"
D1 1.57" D2 4.72"

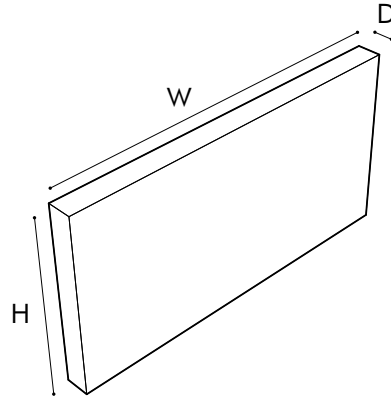
BuzziBlox Rectangular

R-4



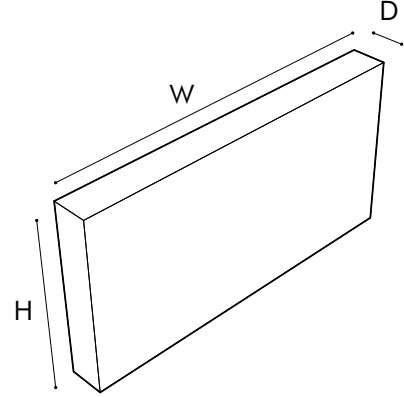
R-4 W 119 cm H 59,5 cm D 4 cm
W 46.85" H 23.43" D 1.57"

R-8



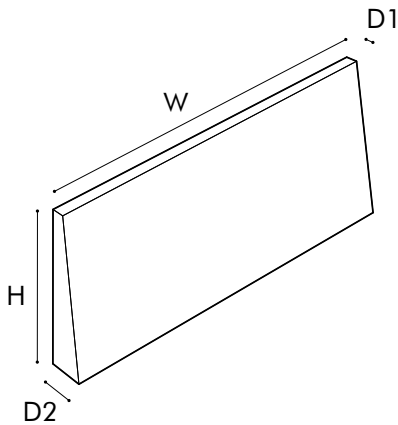
R-8 W 119 cm H 59,5 cm D 8 cm
W 46.85" H 23.43" D 3.15"
RXL-8 W 200 cm H 100 cm D 8cm
W 78.74" H 39.37" D 3.15"

R-12



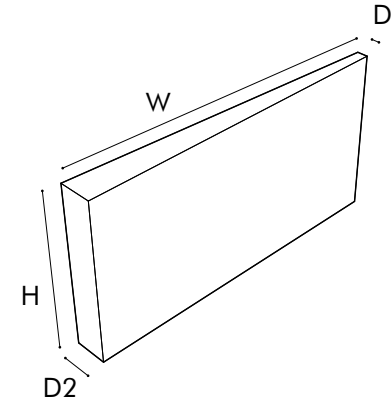
R-12 W 119 cm H 59,5 cm D 12 cm
W 46.85" H 23.43" D 4.72"
RXL-12 W 200 cm H 100 cm D 12 cm
W 78.74" H 39.37" D 4.72"

R-Woss



R-Woss W 119 cm H 59,5 cm
D1 4 cm D2 12 cm
W 46.85" H 23.43"
D1 1.57" D2 4.72"

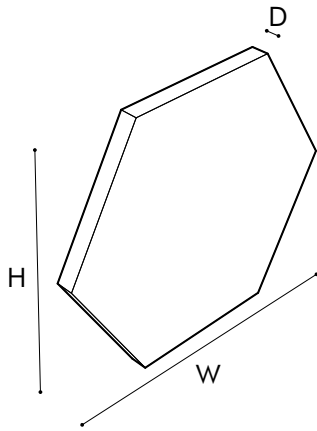
R-Wols



R-Wols W 119 cm H 59,5 cm
D1 4 cm D2 12 cm
W 46.85" H 23.43"
D1 1.57" D2 4.72"

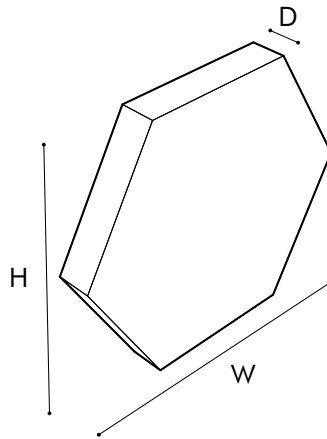
BuzziBlox Hexa

Hexa-4



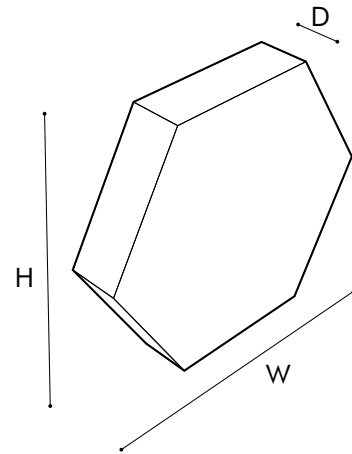
Hexa-4 W 69,3 cm H 60 cm D 4 cm
W 27.28" H 23.62" D 1.57"

Hexa-8



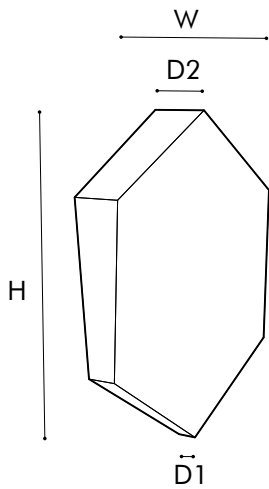
Hexa-8 W 69,3 cm H 60 cm D 8 cm
W 27.28" H 23.62" D 3.15"

Hexa-12



Hexa-12 W 69,3 cm H 60 cm D 12 cm
W 27.28" H 23.62" D 4.72"

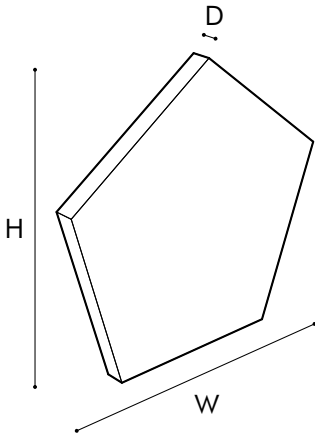
Hexa-Wedge



Hexa-Wedge W 69,3 cm H 60 cm
D1 4 cm D2 12 cm
W 27.28" H 23.62"
D1 1.57" D2 4.72"

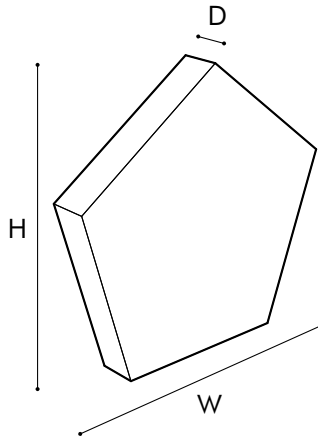
BuzziBlox Penta

Penta-4



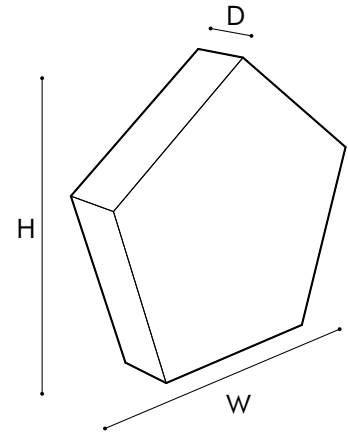
Penta-4 W 63,1 cm H 60 cm D 4 cm
W 24.84" H 23.62" D 1.57"

Penta-8



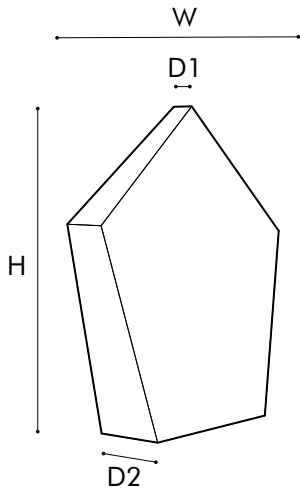
Penta-8 W 63,1 cm H 60 cm D 8 cm
W 24.84" H 23.62" D 3.15"

Penta-12



Penta-9 W 63,1 cm H 60 cm D 12 cm
W 24.84" H 23.62" D 4.72"

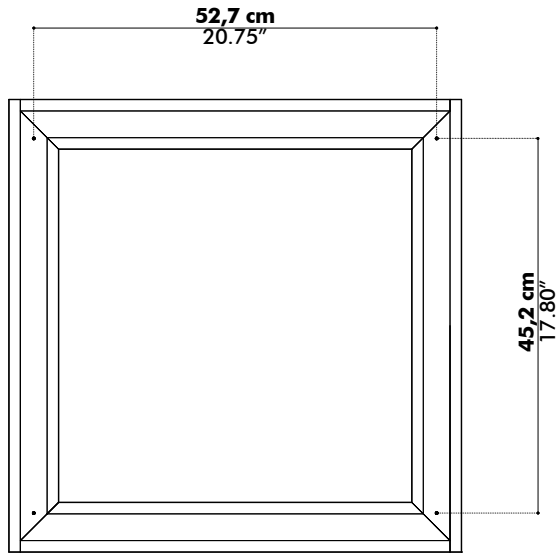
Penta-Wedge



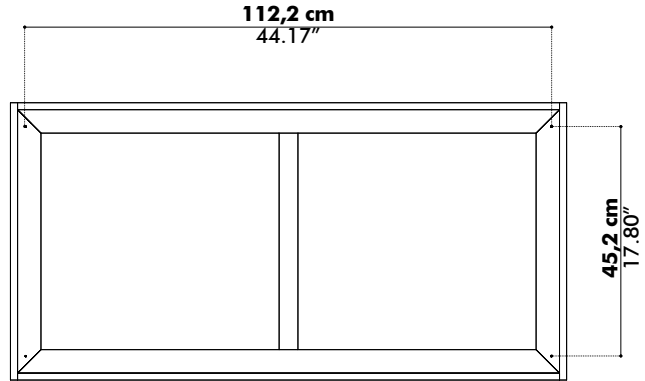
Penta-Wedge W 63,1 cm H 60 cm
D1 4 cm D2 12 cm
W 24.84" H 23.62"
D1 1.57" D2 4.72"

Dimensions fixing points (only for ceiling pendant)

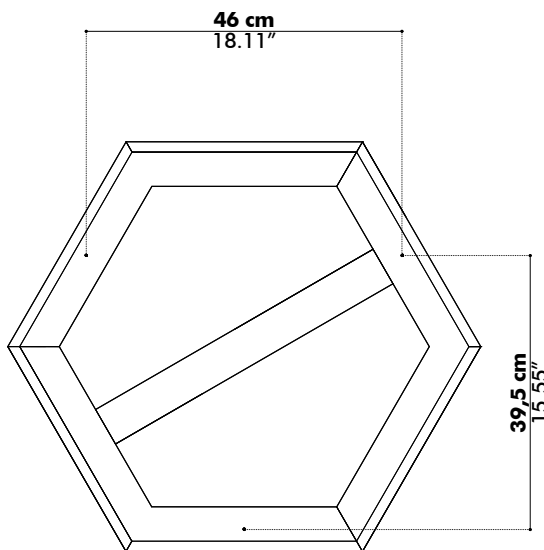
Square | Square Wedge



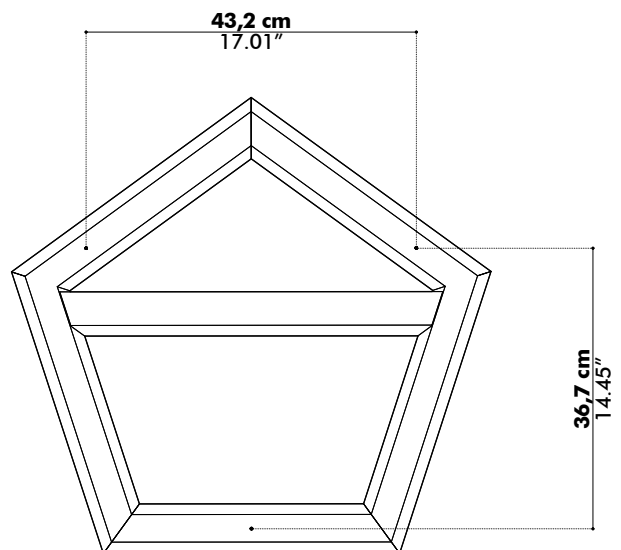
Rectangular | Rectangular Wedge



Hexa | Hexa Wedge



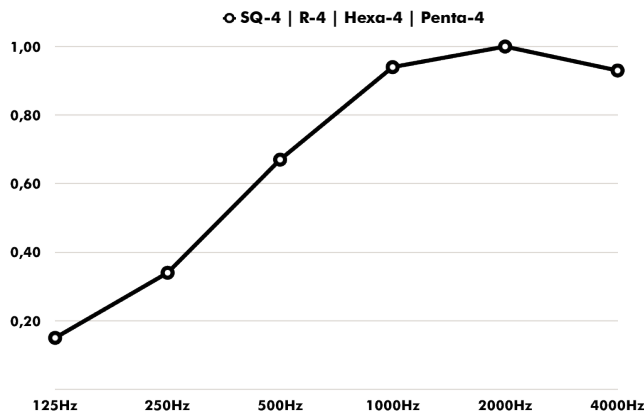
Penta | Penta Wedge



Acoustics

BuzziBlox Wall Mounted SQ-4 | R-4 | Hexa-4 | Penta-4

Absorption coefficient



Hz	α^s
125	0.15
250	0.34
500	0.67
1000	0.94
2000	1.00
4000	0.93

Absorption Values

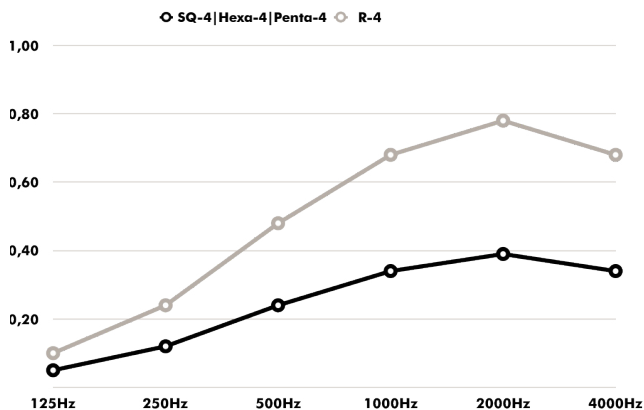
α_w
(ISO 11654) **0.65**

NRC
(ASTM - C423) **0.75**

SAA
(ASTM-C423) **0.76**

Class
(ISO 11654) **C**

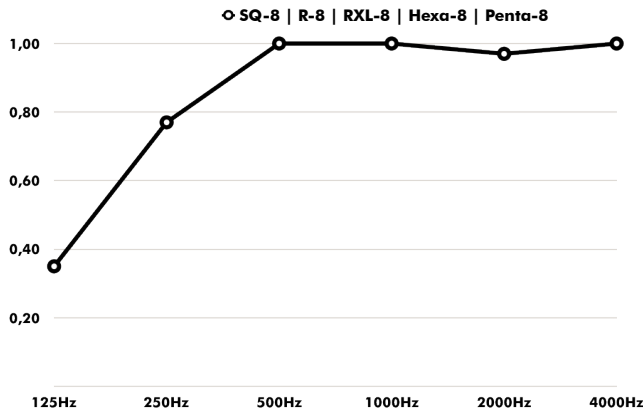
Equivalent sound absorption area in m² per object



Hz	SQ-4 Hexa-4 Penta-4 Aeq/m ²	R-4 Aeq/m ²
125	0.05	0.10
250	0.12	0.24
500	0.24	0.48
1000	0.34	0.68
2000	0.39	0.78
4000	0.34	0.68

BuzziBlox Wall Mounted SQ-8 | R-8 | RXL-8 | Hexa-8 | Penta-8

Absorption coefficient



Hz	α^s
125	0.35
250	0.77
500	1,00
1000	1,00
2000	0,97
4000	1,00

Absorption values

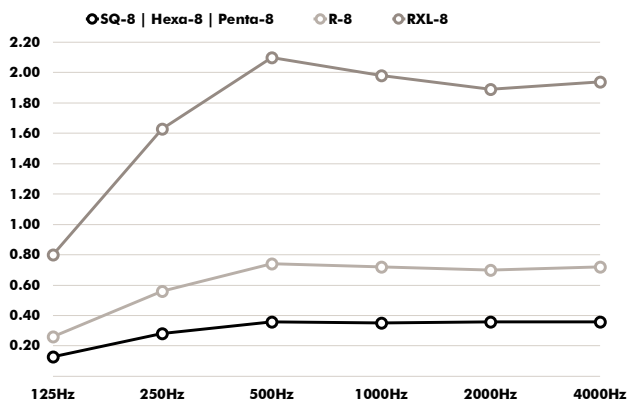
α_w
(ISO 11654) **1.00**

NRC
(ASTM - C423) **0.95**

SAA
(ASTM-C423) **0.95**

Class
(ISO 11654) **A**

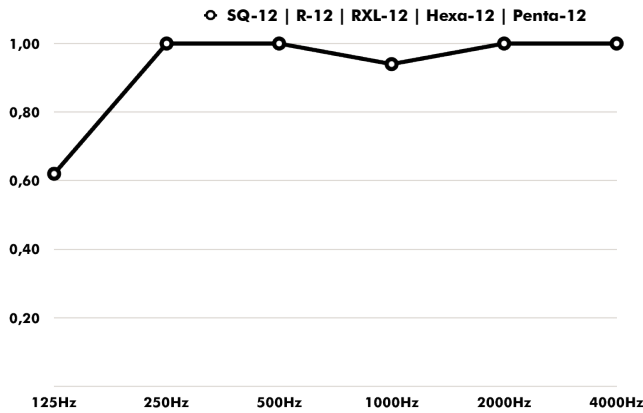
Equivalent sound absorption area in m² per object



Hz	SQ-8 Hexa-8 Penta-8 Aeq/m ²	R-8 Aeq/m ²	RXL-8 Aeq/m ²
125	0.13	0.26	0.80
250	0.28	0.56	1.63
500	0.36	0.74	2.10
1000	0.35	0.72	1.98
2000	0.36	0.70	1.89
4000	0.36	0.72	1.94

BuzziBlox Wall mounted SQ-12 | R-12 | RXL-12 | Hexa-12 | Penta-12

Absorption coefficient



Hz	α^s
125	0.62
250	1.00
500	1.00
1000	0.94
2000	1.00
4000	1.00

Absorption values

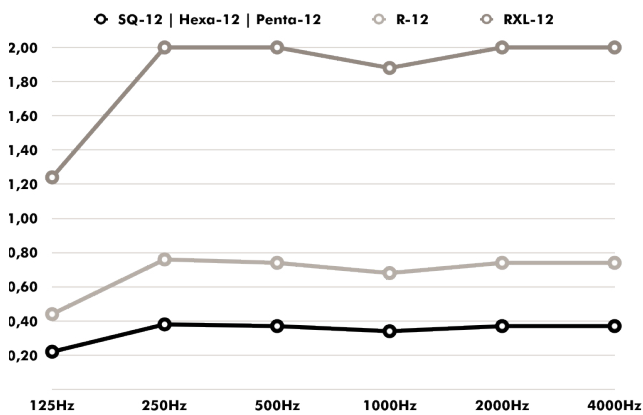
α_w
(ISO 11654) **1.00**

NRC
(ASTM - C423) **1.00**

SAA
(ASTM-C423) **1.00**

Class **A**
(ISO 11654)

Equivalent sound absorption area in m² per object

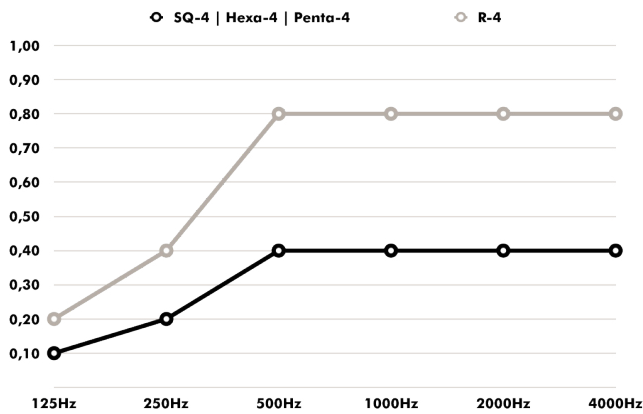


Hz	SQ-12 Hexa-12 Penta-12 Aeq/m ²	R-12 Aeq/m ²	RXL-12 Aeq/m ²
125	0.22	0.44	1.24
250	0.38	0.76	2.00
500	0.37	0.74	2.00
1000	0.34	0.68	1.88
2000	0.37	0.74	2.00
4000	0.37	0.74	2.00

Glossary p.22

BuzziBlox Ceiling Mounted SQ-4 | R-4 | Hexa-4 | Penta-4

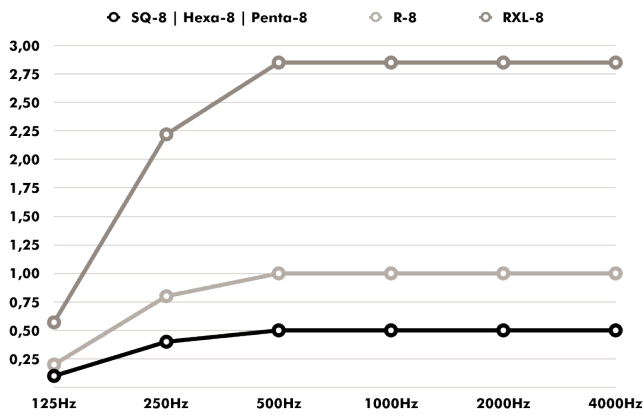
Equivalent sound absorption area in m² per object



Hz	SQ-4 Hexa-4 Penta-4 Aeq/m ²	R-4 Aeq/m ²
125	0.10	0.20
250	0.20	0.40
500	0.40	0.80
1000	0.40	0.80
2000	0.40	0.80
4000	0.40	0.80

BuzziBlox Ceiling Mounted SQ-8 | R-8 | RXL-8 | Hexa-8 | Penta-8

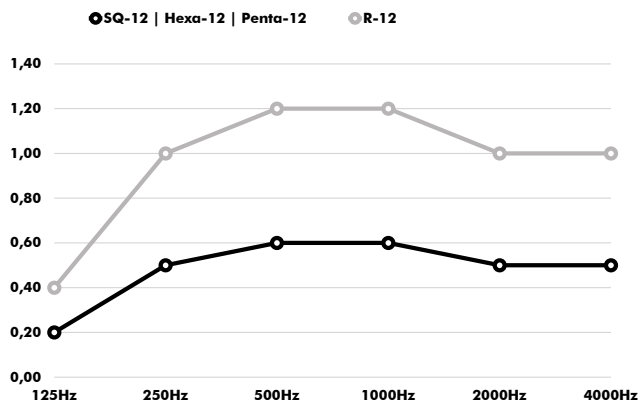
Equivalent sound absorption area in m² per object



Hz	SQ-8 Hexa-8 Penta-8 Aeq/m ²	R-8 Aeq/m ²	RXL-8 Aeq/m ²
125	0.10	0.20	0.57
250	0.40	0.80	2.22
500	0.50	1.00	2.85
1000	0.50	1.00	2.85
2000	0.50	1.00	2.85
4000	0.50	1.00	2.85

BuzziBlox Ceiling Mounted SQ-12 | R-12 | Hexa-12 | Penta-12

Equivalent sound absorption area in m² per object



Hz	SQ-12 Hexa-12 Penta-12 Aeq/m ²	R-12 Aeq/m ²
125	0.20	0.40
250	0.50	1.00
500	0.60	1.20
1000	0.60	1.20
2000	0.50	1.00
4000	0.50	1.00

Glossary

All calculations are based on accredited lab measurements, official document available on Buzzi.Space

Definitions

α	Weighted absorption coefficient	(ISO 11654)
NRC	Noise reduction coefficient	(ASTM - C423)
SAA	Sound absorption average	(ASTM - C423)

Classification of sound absorbers NEN-EN-ISO 11654

A	0.90 0.95 1.0
B	0.80 0.85
C	0.60 0.65 0.70 0.75
D	0.03 0.55
E	0.15 0.25

