

BuzziJet
Soundabsorbing Lighting

asset
space becomes place

BuzziJet 230V **Product Specification Sheet**

This document contains technical information about the BuzziJet








www.buzzi.space

Powerful acoustic circle of light

Form follows function with BuzziJet, an intentionally simple design based on the principles of geometric acoustics. Wide in diameter, this cylindrical design allows sound waves to bounce back-and-forth within the radius of its circular body, and in turn mitigates noise. BuzziJet is considerable in size, yet appears lightweight and airy thanks to its upholstered foam core. Its soft presence evokes a majestic sense of serenity. Concealed inside the body, a powerful light source emits warm, pleasant light.

Design by BuzziSpace Studio

General

-  Ceiling Suspended
S | M | XL | XXL
-  Upholstered acoustic foam shade
LED disk
Powder coated metal ceiling canopy in white (RAL 9010)
Transparent power cable
-  IP20 Dry Usage
-  Assembled
-  If installing on suspended ceiling, verify load capacity prior to installation

Certifications



Acoustics



Absorption



Diffusion



Low tone



Mid tone



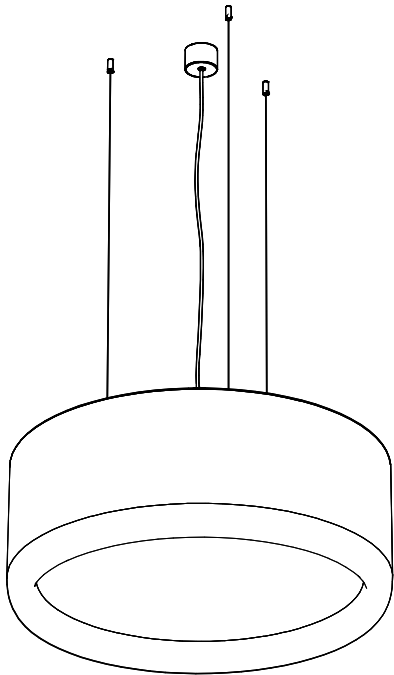
High tone

Content

Configurations	3	Fabrics	9
Components	5	Dimensions	12
Photometric Data	7	Acoustics	16

Configurations

BuzziJet S

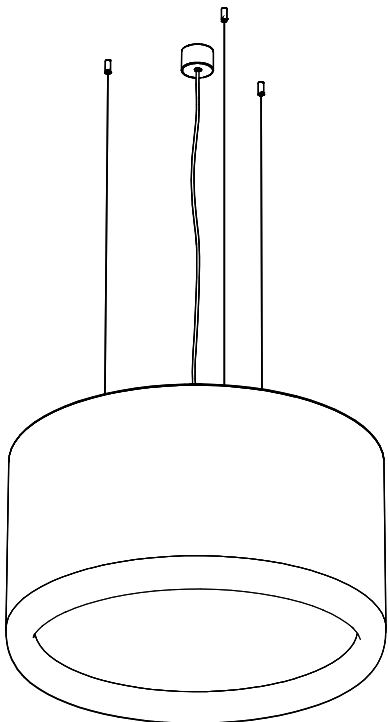


- ◆ Ceiling Suspended
- Upholstered acoustic foam shadeLED disk
- 🌲 Powder coated metal ceiling canopy and frame in white (RAL 9010)
- Transparent power cable

- Wattage: 29W
- Input Voltage: 230V
- Input Frequency: 50/60Hz
- 💡 Lumen Output: 2545 lumen
- Color Temperature: 3000K (4000K on request)
- Color Rendering Index: >90
- Dimmable: 1-10V Protocol (DALI on request)
- Unified Glare Rating: 22 (19 on request)

- ✂ Ø 80 cm H: 22,5 cm
- ⚖ 13 kg
- ⋮ Ceiling Suspended Straight or Split
- ⋮ Fixing System Screw
- 3x black or alu cables 2 - 4 m
- ⚠ If installing on suspended ceiling, verify load capacity prior to installation

BuzziJet M

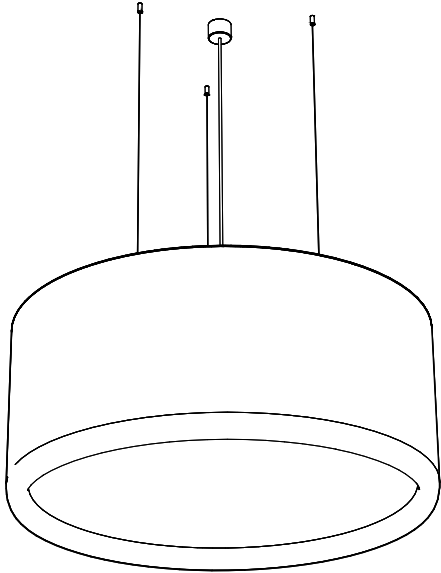


- ◆ Ceiling Suspended
- Acoustic upholstered foam shade LED disk
- 🌲 Powder coated metal ceiling canopy and frame in white (RAL 9010)
- Transparent power cable

- Wattage: 29W
- Input Voltage: 230V
- Input Frequency: 50/60Hz
- 💡 Lumen Output: 2545 lumen
- Color Temperature: 3000K (4000K on request)
- Color Rendering Index: >90
- Dimmable: 1-10V Protocol (DALI on request)
- Unified Glare Rating: 22 (19 on request)

- ✂ Ø 80 cm H: 45 cm
- ⚖ 15 kg
- ⋮ Ceiling Suspended Straight or Split Fixing System Screw
- 3x black or alu cables 2 - 4 m
- ⚠ If installing on suspended ceiling, verify load capacity prior to installation

BuzziJet XL



- ◆ Ceiling Suspended
- Acoustic upholstered foam shade LED disk
- 🌲 Powder coated metal ceiling canopy and frame in white (RAL 9010)
- Transparent power cable

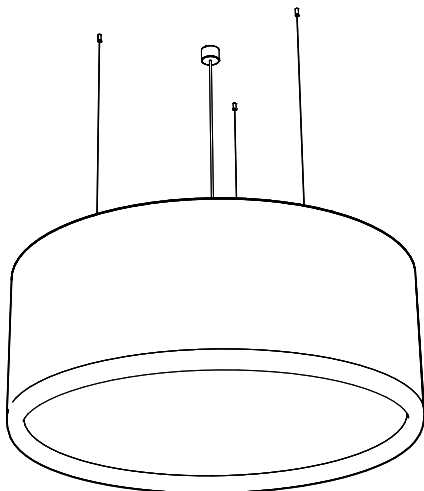
- Wattage: 29W
- Input Voltage: 230V
- Input Frequency: 50/60Hz
- Lumen Output: 2545 lumen
- 💡 Color Temperature: 3000K (4000K on request)
- Color Rendering Index: >90
- Dimmable: 1-10V Protocol (DALI on request)
- Unified Glare Rating: 22 (19 on request)

- ✂ Ø 120 cm H: 52,5 cm
- ⚖ 17 kg

- Ceiling Suspended Straight
- ⋮ Fixing System Screw
- 3x black or alu cables 2 - 4 m

- ⚠ If installing on suspended ceiling, verify load capacity prior to installation

BuzziJet XXL



- ◆ Ceiling Suspended
- Acoustic upholstered foam shade LED disk
- 🌲 Powder coated metal ceiling canopy and frame in white (RAL 9010)
- Transparent power cable

- Wattage: 70W
- Input Voltage: 230V
- Input Frequency: 50/60Hz
- Lumen Output: 6232 lumen
- 💡 Color Temperature: 3000K
- Color Rendering Index: >90
- Dimmable: 1-10V Protocol
- Unified Glare Rating: 23

- ✂ Ø 150 cm H: 60 cm
- ⚖ 26 kg

- Ceiling Suspended Straight
- ⋮ Fixing System Screw
- 3x black or alu cables 2 - 4 m

- ⚠ If installing on suspended ceiling, verify load capacity prior to installation

Components

Light source



The Light source is wrapped with an upholstered ring in the same fabric as the foam shade.

The PMMA diffuser ensures an optimal light spread and efficiency. It creates a very diffuse light surface without any dottiness.

The light source of the BuzziJet is a LED PCB, containing 104 medium power LED's for the S | M | XL and for the XXL 248 medium power LED's

Ceiling canopy and power cord

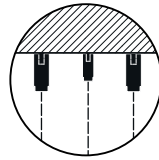
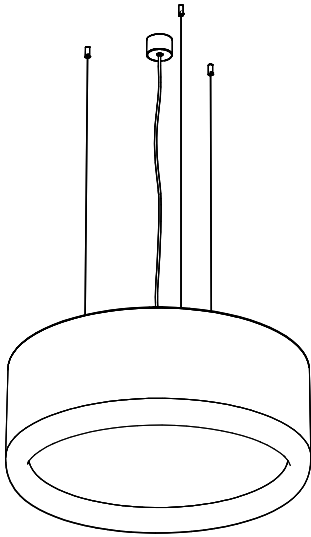


Suspension set consists of a:

- metal ceiling canopy powder coated in white
- transparent power cable (length 4 m)
- separate metal cables to suspend the BuzziJet (in alu or black 2 m or 4 m)

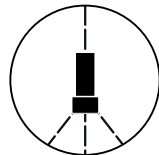
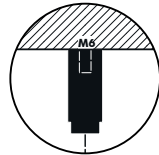
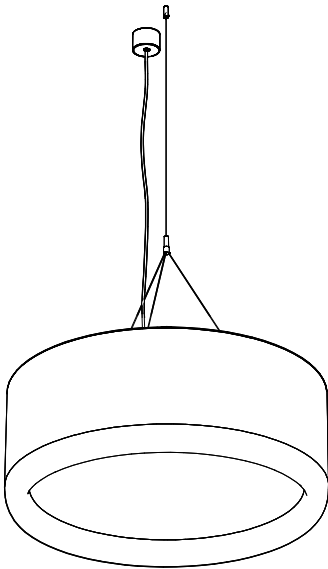
Mounting

Ceiling Suspended Straight



Ceiling Suspended Straight
Fixing System Screw with 3 cables of 2 or 4 m
(black or alu)
Min. distance of shade to ceiling is 10 cm

Ceiling Suspended Split (only available for BuzziJet S | M)

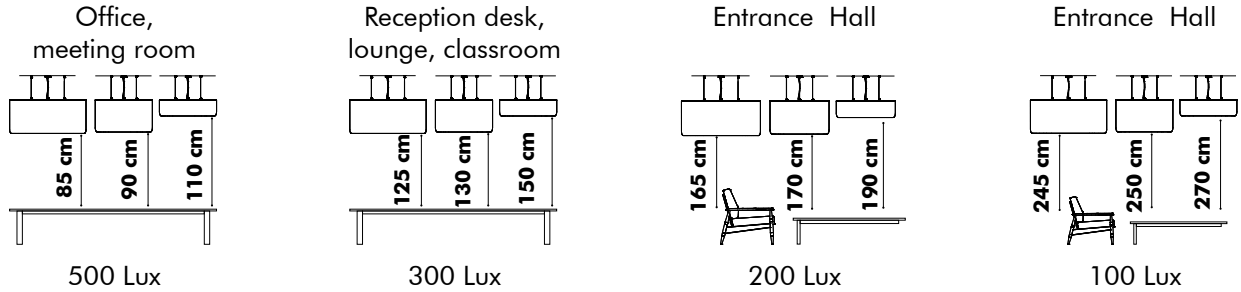


Ceiling Suspended Split
Fixing System Screw with 3 split cables and 1 main
cable, total length of 2 m or 4 m (black or alu)
Min. distance of shade to ceiling is 50 cm

Photometric Data

To enlight your workplace or room with optimal lux levels take following measures into account.

BuzziJet S | M | XL



To ensure a continuous light spread into account take following distances inbetween the BuzziJets S | M | XL



According to EN12464

Specification overview BuzziJet S | M | XL

Standard:

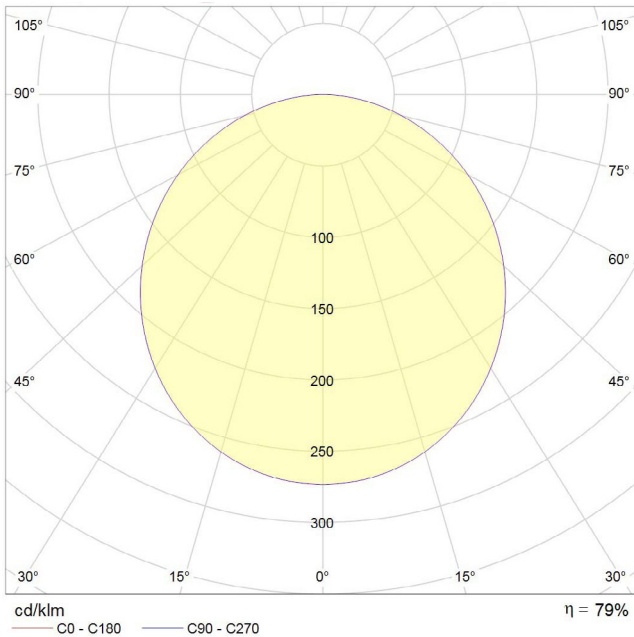
S | M | XL: 3000K | UGR 22 | 1-10V DIM | 2545 Lm

On request:

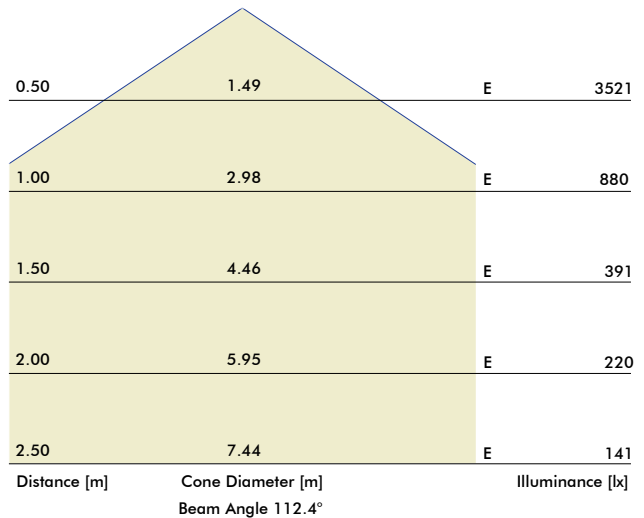
3000K | UGR 19* | 1-10V DIM | 2508 Lm
 4000K | UGR 22 | 1-10V DIM | 2860 Lm
 4000K | UGR 22 | DALI DIM | 2860 Lm
 3000K | UGR 22 | DALI DIM | 2545 Lm

* To achieve a UGR 19, the product is fitted with a Prismatic diffusor instead of a milky diffusor. LED dots will be visible.

Polar Curve

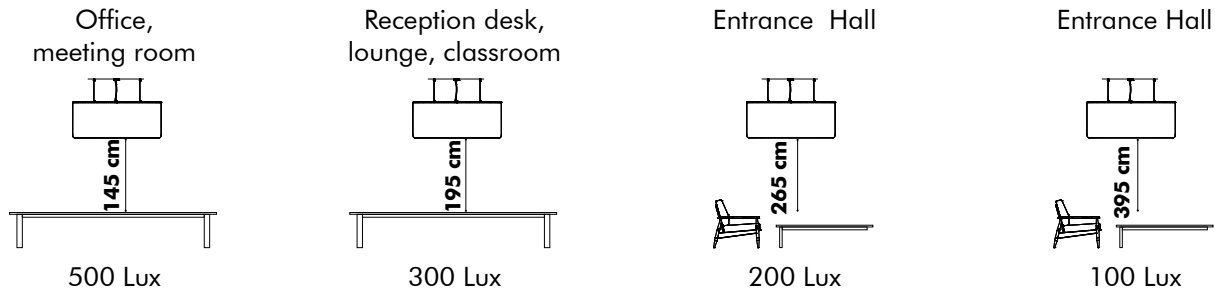


Cone Diagram



ref model: LED Disk 450 3000K UGR 22

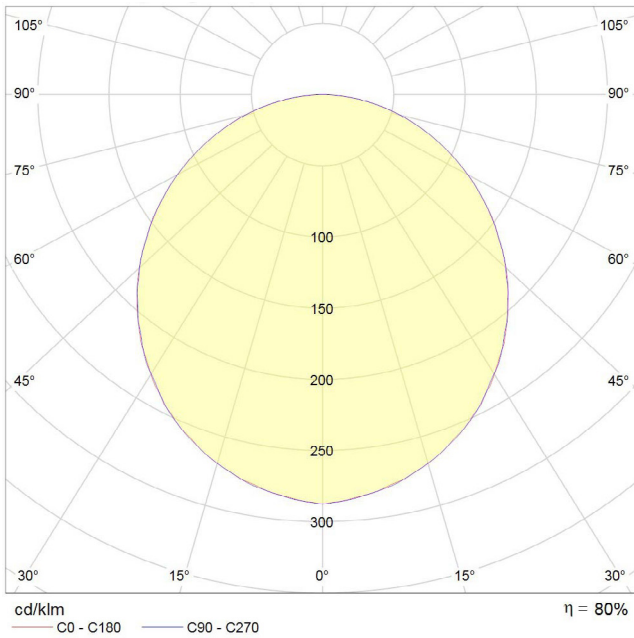
BuzziJet XXL



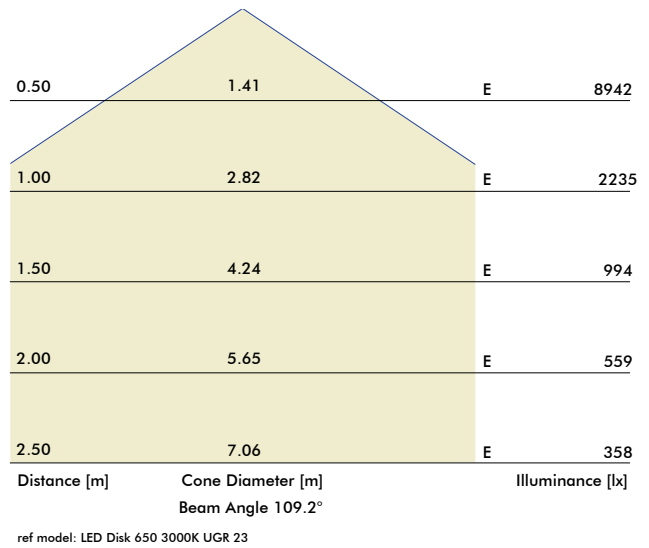
Specification overview BuzziJet XXL

XXL: 3000K | UGR 23 | 1-10V DIM | 6232 Lm

Polar Curve

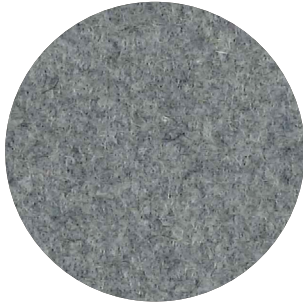


Cone Diagram



Fabrics

Fabric



Category A

Composition 70% Recycled Wool, 25% Recycled Polyacryl,
5% Recycled Other Fabrics

Weight 405 g/m² | 11.94 oz/yd²

Abrasion resistance 40.000 Martindale, 50,000 Wyzenbeek

Flammability EU: EN 1021.1/2006 | BS EN 1021.1/2006 (cigarette).
EN 1021.2/2006 | BS EN 1021.2/2006 (match)
USA: CAL TB 117 | ASTM E84 CLASS A

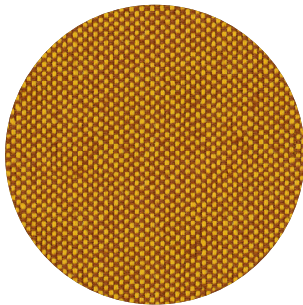
Fastness to light EU: 4 | USA 4

Fastness to rubbing EU: Wet 3-4 | Dry 4-5

Fastness to crocking USA: Wet 5 | Dry 5



Trevira CS+ | CS



Category A

Weight 420 g/m² | 12.39 oz/yd²

Composition 100% Polyester, Trevira CS

Abrasion resistance 100.000 Martindale, 90,000 Wyzenbeek

Flammability BS 5852 part II: CRIB 5 | BS 7176 Medium Hazard
USA: CAL TB 117 | M1 | B1 | EN 1021/1-2 | C1 |
IMO Res. A652 (16)

Fastness to light EU: 6 | USA 5

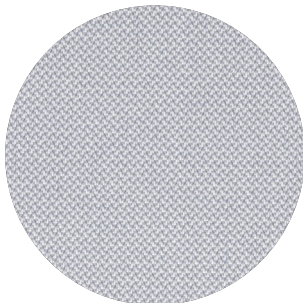
Fastness to rubbing EU: Wet 4-5 | Dry 4-5

Fastness to crocking USA: Wet 5 | Dry 5



Revive 1

kvadrat



Category A

Composition 100% recycled polyester FR

Weight 430 g/lin.m

Abrasion resistance 60.000 Martindale rubs, EN ISO 12947

Flammability EN 1021-1/2 | DIN 4102 B1 | Önorm B1/Q1
UNI 9175 1IM | US Cal. Tech. Bull. 117
IMO A.652 (16)

Fastness to light Note 5-7, ISO 105-B02

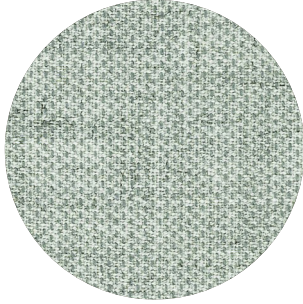
Fastness to rubbing (ISO) dry 5, wet 4-5

Pilling Note 4-5, EN ISO 12945



Clara 2

kvadrat



Category B

Composition 92% new wool, 8% nylon

Weight 400 g/lin.m

Abrasion resistance 80.000 Martindale rubs, EN ISO 12947

Flammability EN 1021-1/2 | BS 5852, ignition source 2-3 | DIN 4102 B2
NF D 60 013 | UNI 9175 11M | US Cal. Tech. Bull. 117, Sec. E
NFPA 260 | IMO A.652(16)

Fastness to light Note 5-7, ISO 105-B02

Fastness to rubbing (ISO) dry 4-5, wet 4

Pilling Note 4, EN ISO 12945



Remix 3

kvadrat



Category B

Composition 90% new wool, 10% nylon

Weight 415 g/lin.m

Abrasion resistance 100.000 Martindale rubs, EN ISO 12947

Flammability EN 1021-1/2 | BS 5852 part 1
Önorm B1/Q1 | NF D 60 013 | UNI 9175, 11M
AS/NZS 1530.3 | Cal. Tech. Bull. 117-2013
NFPA 260 | IMO FTP Code 2010:Part 8

Fastness to light Note 5-7, ISO 105-B02

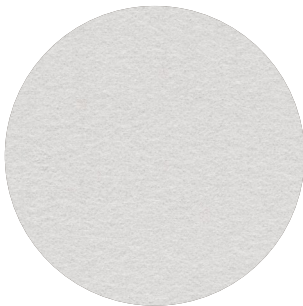
Fastness to rubbing (ISO) dry 4-5, wet 4

Pilling Note 4, EN ISO 12945



Hero

kvadrat



Category C

Composition 96% new wool, 4% nylon

Weight 580 g/lin.m

Abrasion resistance 45.000 Martindale rubs, EN ISO 12947

Flammability EN 1021-1/2 | DIN 4102 B2 | NF D 60 013
UNI 9175 11M | US Cal. Bull. 117-2013 | NFPA 260
IMO A.652 (16)

Fastness to light Note 5-6, ISO 105-B02

Fastness to rubbing (ISO) dry 4-5, wet 4-5

Pilling Note 3-4, EN ISO 12945



Tonus 4

kvadrat



Category D

Composition 90% new wool, 10% Helanca

Weight 665 g/lin.m

Abrasion resistance 100.000 Martindale rubs, EN ISO 12947

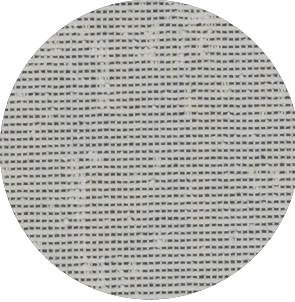
Flammability EN 1021-1/2 | BS 5852 part 1 | DIN 4102 B2
Önorm B1/Q1 | NF D 60 013 | UNI 9175 11M
US Cal. Bull. 117-2013 | NFPA 260 | IMO A.652 (16)

Fastness to light Note 5-7, ISO 105-B02

Fastness to rubbing (ISO) dry 3-5, wet 3-5

Pilling Note 3, EN ISO 12945





Category E

Composition 100% Trevira CS

Weight 700 g/lin.m

Abrasion resistance

35.000 rubs acc. to the Martindale method, EN ISO 12947

Flammability EN 1021-1/2 | DIN 4102 B1 | Önorm B1/Q1
NF D 60 013 | NF P 92 507 M1 | UNI 9175 11M
UNI 9177 classe 1 | US Cal. Tech. Bull. 117
IMO A.652 (16)

Fastness to light Note 5-8, ISO 105-B02

Fastness to rubbing (ISO) dry 4-5, wet 4-5

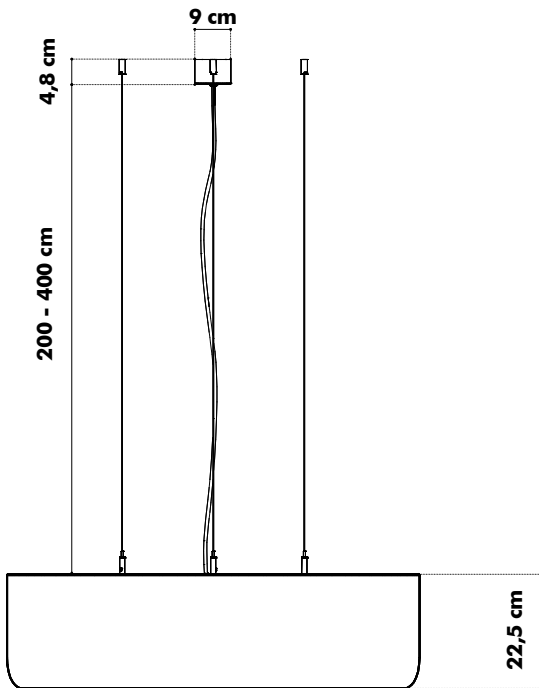
Pilling Note 4, EN ISO 12945



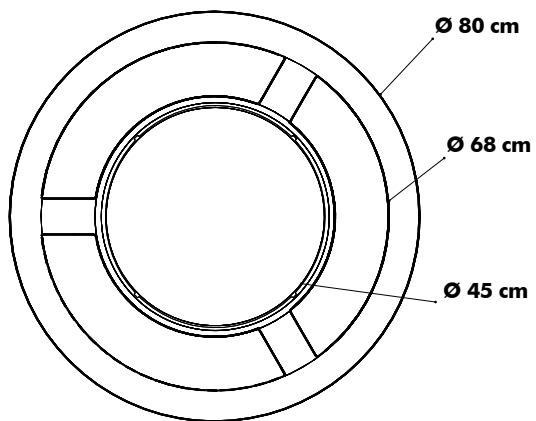
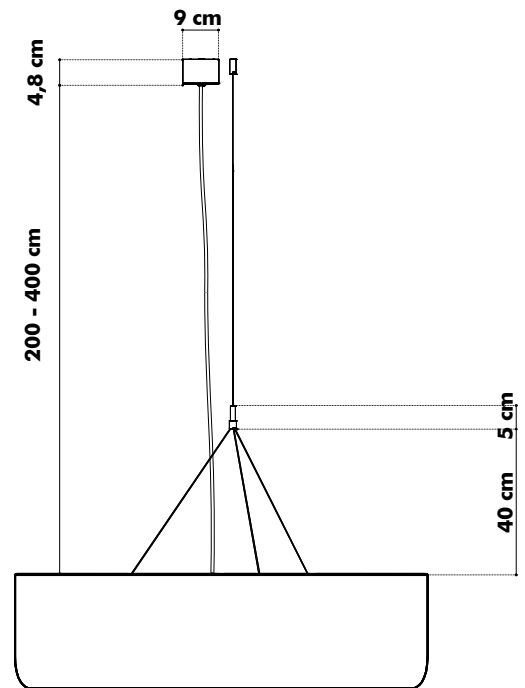
Dimensions

BuzziJet S

Straight

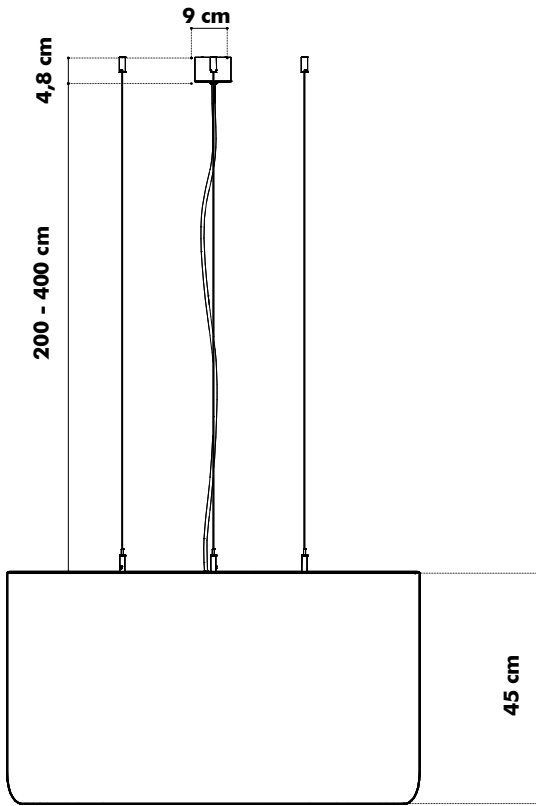


Split

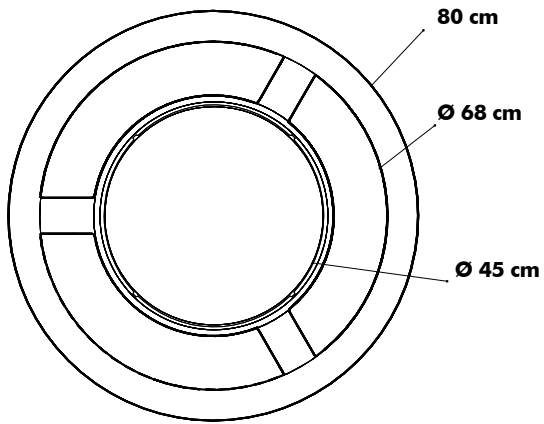
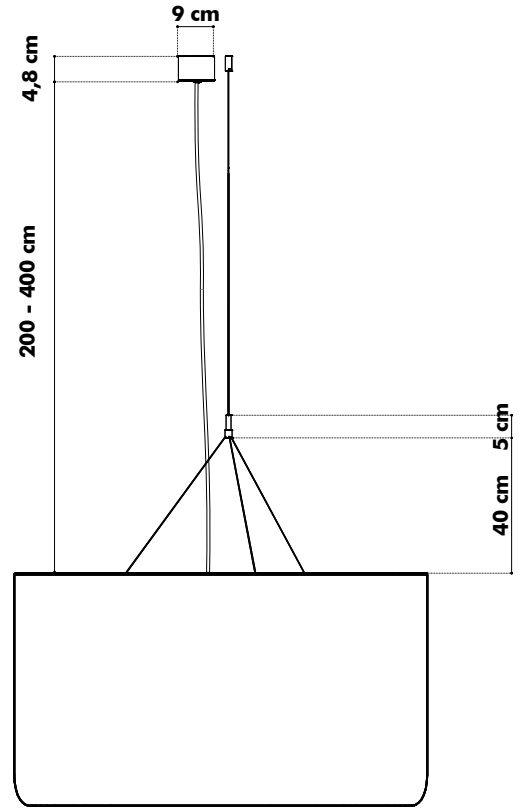


BuzziJet M

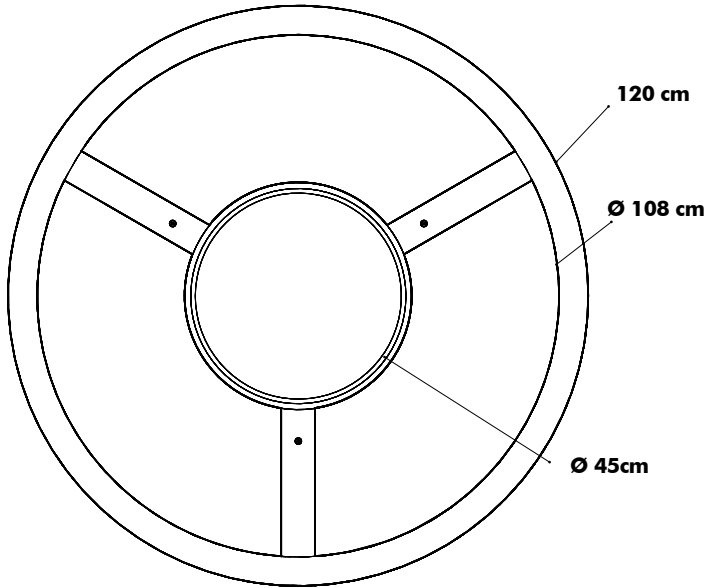
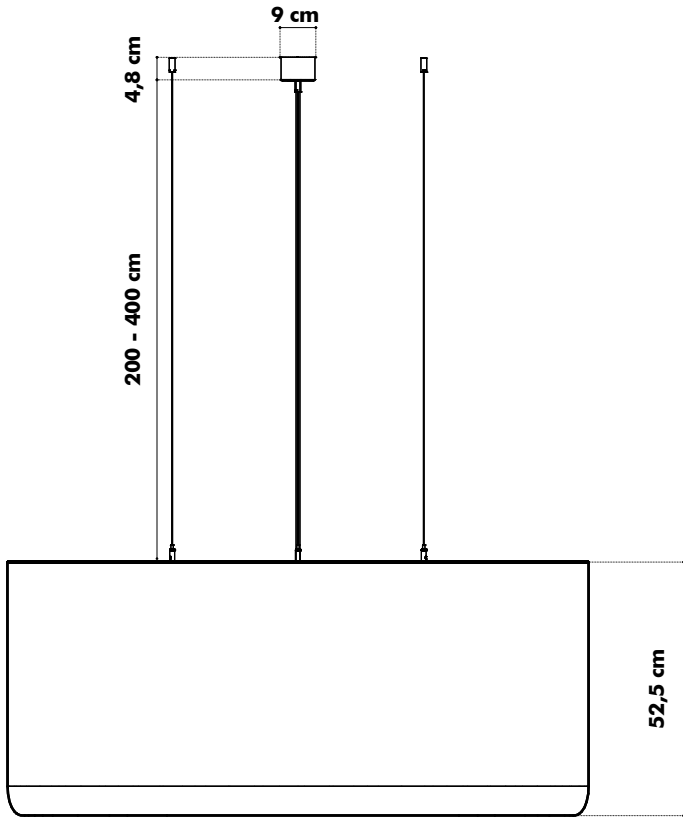
Straight



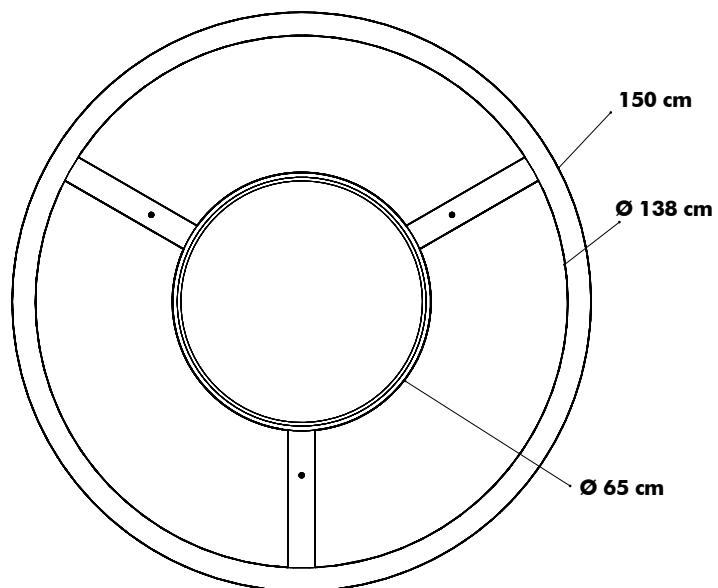
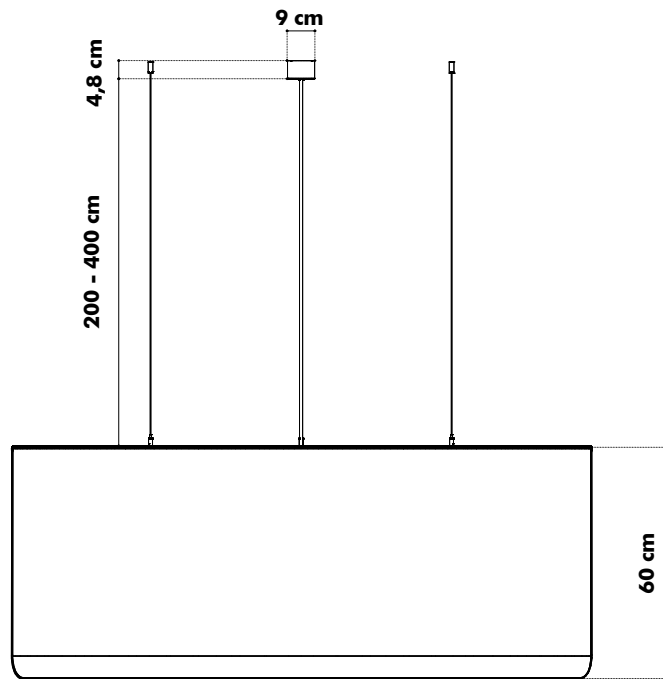
Split



BuzziJet XL



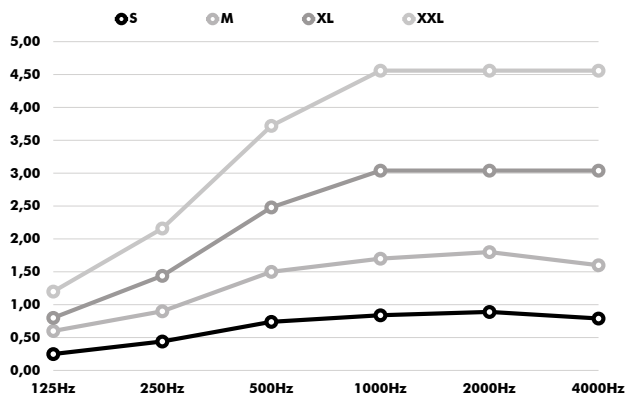
BuzziJet XXL



Acoustics

BuzziJet

Equivalent sound absorption area in m² per object



Hz	S Aeq/m ²	M Aeq/m ²	XL Aeq/m ²	XXL Aeq/m ²
125	0.25	0.60	0.80	1.20
250	0.44	0.90	1.44	2.16
500	0.74	1.50	2.48	3.72
1000	0.84	1.70	3.04	4.56
2000	0.89	1.80	3.04	4.56
4000	0.79	1.60	3.04	4.56

