

**BuzziPleat Light**  
Soundabsorbing Lighting

**asset**  
space becomes place



---

## **BuzziPleat Light 220-240V** **Product Specification Sheet**

---

This document contains technical  
information about the BuzziPleat Light

---



[www.buzzi.space](http://www.buzzi.space)

## Sculptural pendant enfolds silence and light

BuzziPleat, a dynamic series of acoustic solutions by 13&9, delivers sound control with architectural edge. Traditional fashion design techniques, like smocking and pleating, are reinterpreted with sound-absorbing BuzziFelt to create large architectural folds, which maximize surface to deliver exceptional acoustic performance. The suspended BuzziPleat Light configuration marries sound control and illumination. It is equipped with BuzziSol, a powerful LED light source. The dimmable warm light gives BuzziPleat an even greater sense of depth.

Design by 13&9 Design

---

## General

- Edel | Ripple
- BuzziFelt shade  
LED light source
- Wattage 32W  
Input voltage 220-240V  
Input freq. 50/60 Hz  
Lumen Output: 1500 lumen (LED Light Source)  
Color Temperature: 3000K  
Dimmable: 1-10V Protocol (DALI on request)
- IP20 Dry usage

---

## Certifications



---

## Acoustics



Absorption



Diffusion



Mid tone



High tone

---

## Content

Configurations	3
Fabrics	4
Technical Components	5
Photometric Data	7
Dimensions	9
Acoustics	11

# Configurations

---

## BuzziPleat Light Ripple

◆ M, L

BuzziFelt shade with OffWhite or Black lace  
LED Light source with powder coated metal heatsink and ceiling canopy in black (RAL 9005) and black fabric power cable



Ceiling canopy: W 14 cm L 28 cm H 4 cm  
Shade: M Ø 100 cm H 13 cm  
L Ø 150 cm H 19,5 cm



M: 6,7 kg  
L: 12,4 kg

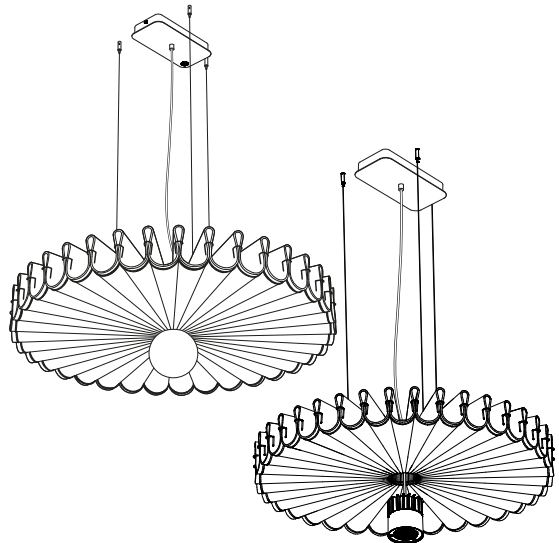
Diffusor: Frosted glass globe or 38° reflector spot



Lace: OffWhite or Black  
Black or alu cables 2 - 5 m



If installing on suspended ceiling, verify load capacity prior to installation.



---

## BuzziPleat Light Edel

◆ M, L

BuzziFelt shade with offWhite or black lace  
LED Light source with powder coated metal heatsink and ceiling canopy in black (RAL 9005)  
Black fabric power cable



Ceiling canopy: W 14 cm L 28 cm H 4 cm  
Shade: M Ø 100 cm H 13 cm  
L Ø 150 cm H 19,5 cm



M: 5,7 kg  
L: 10,4 kg

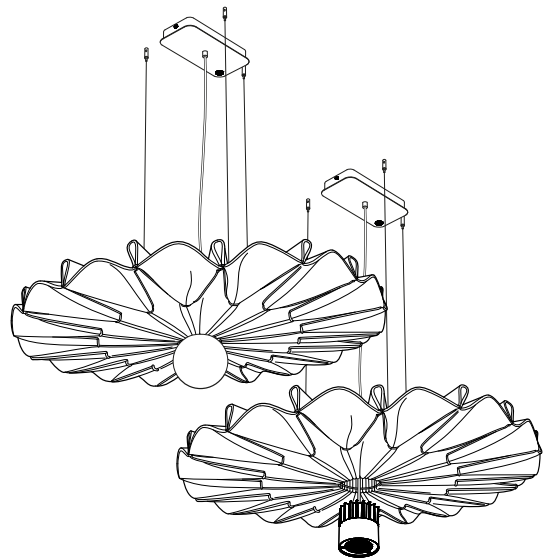
Diffusor: Frosted glass globe or 38° reflector spot



Lace: OffWhite or Black  
Black or alu cables 2 - 5 m



If installing on suspended ceiling, verify load capacity prior to installation.



# Fabrics

---

## Felt

**Composition** 100% Recycled P.E.T. Felt, latex backing

**Weight** 1.000 g/m<sup>2</sup> | 29.49 oz/yd<sup>2</sup>

**Abrasion resistance** >7.000 Martindale

**Flammability** EU: EN 13501.1 + A1/2009 Class B-s1,d0

USA: ASTM E84 Class A certified

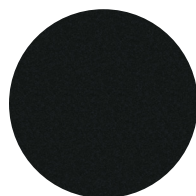
**Fastness to light** USA 5



FE-OffWhite 63



FE-StoneGrey 67



FE-Anthracite 68

# Technical components

---

## BuzziSol Pendant

### Felt shade



The lightweight sculptural shade is created by pleating or smocking sound absorbing BuzziFelt. The architectural folds maximize surface area, delivering exceptional acoustic performance.

### LED light source



The LED light source consists of a black powder coated metal heatsink fitted with a C.O.B. LED source, finished with a frosted glass globe or a 38° reflector spot. The distance between the light element and the acoustic shade can be adjusted

### Ceiling canopy



Powder coated metal canopy in black (RAL 9005)  
Including mounting bracket

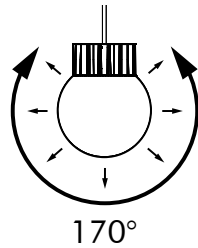
Weight 14 cm  
Length 28 cm  
Height 4 cm

## Heat sink



The light element consists out of a black powder coated metal heat sink fitted with a C.O.B. LED source.

## Globe



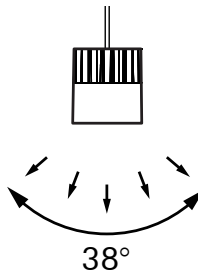
The BuzziSol Globe is finished with a frosted glass globe, to create a decorative light effect 170° around.

### Specification overview

Standard: 3000K | 1-10V DIM

On request: 3000K | DALI DIM

## Spot



The BuzziSol Spot is finished with a 38° reflector to direct the light towards the surface.

### Specification overview

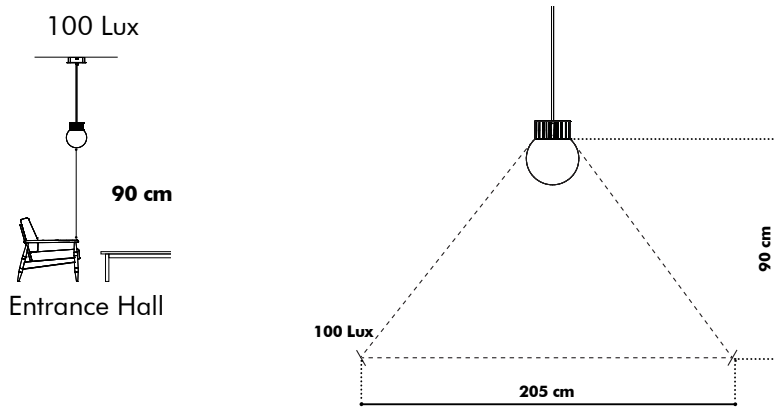
Standard: 3000K | 1-10V DIM

On request: 3000K | DALI DIM

# Photometric Data

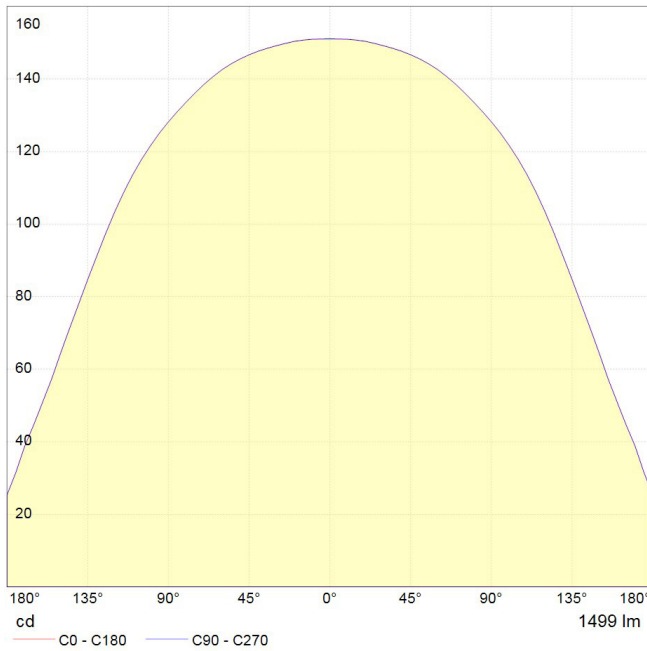
## BuzziPleat Light Globe

To enlight your room with a lux level of 100 lux take following measures into account.

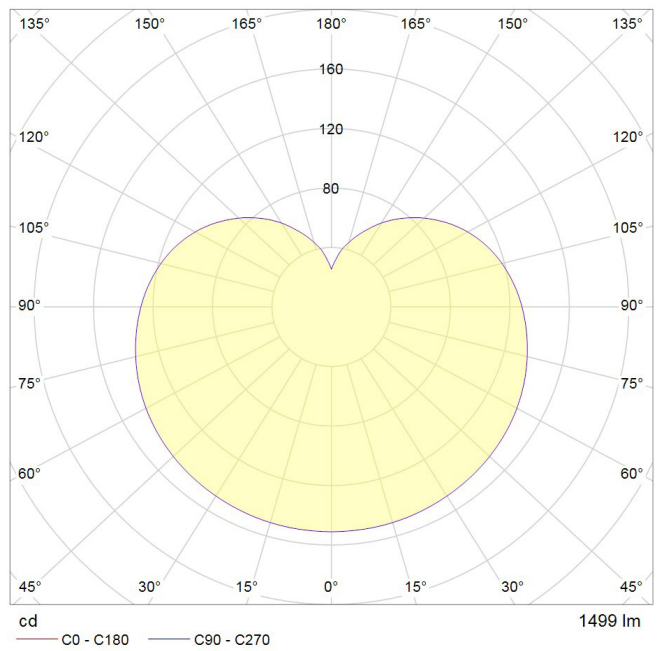


\* According to EN12464

### Globe Cartesian diagram



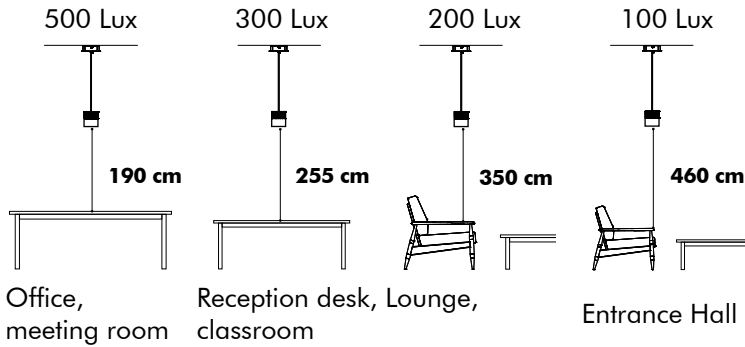
### Globe Polar curve



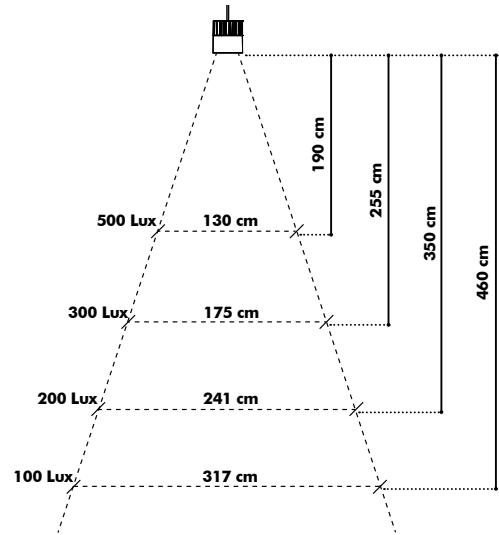


# BuzziPleat Light Spot

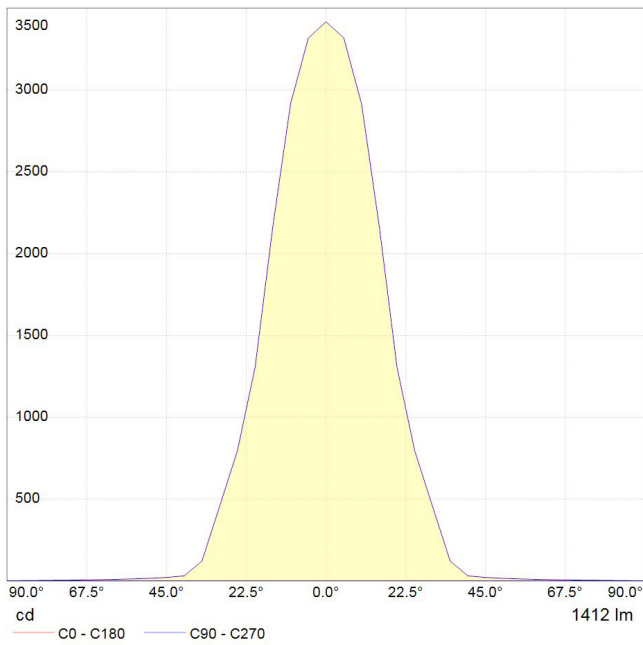
To enlight your workplace or room with optimal lux levels take following measures into account.



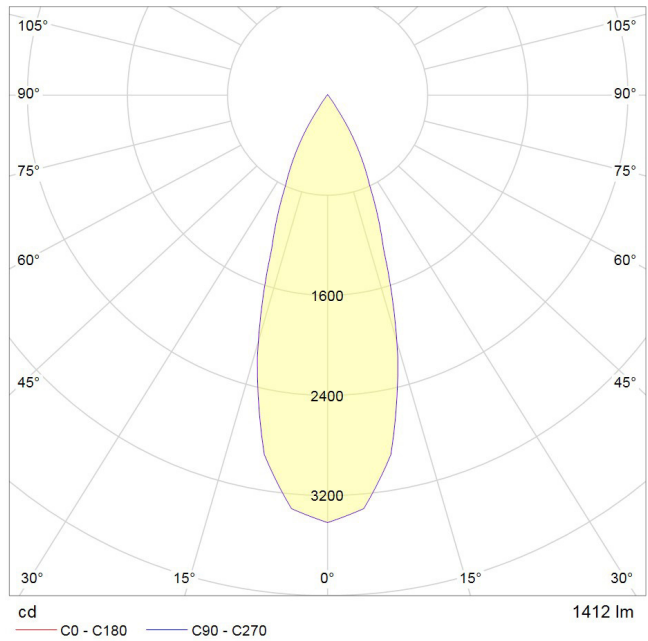
\* According to EN12464



## Globe Cartesian diagram

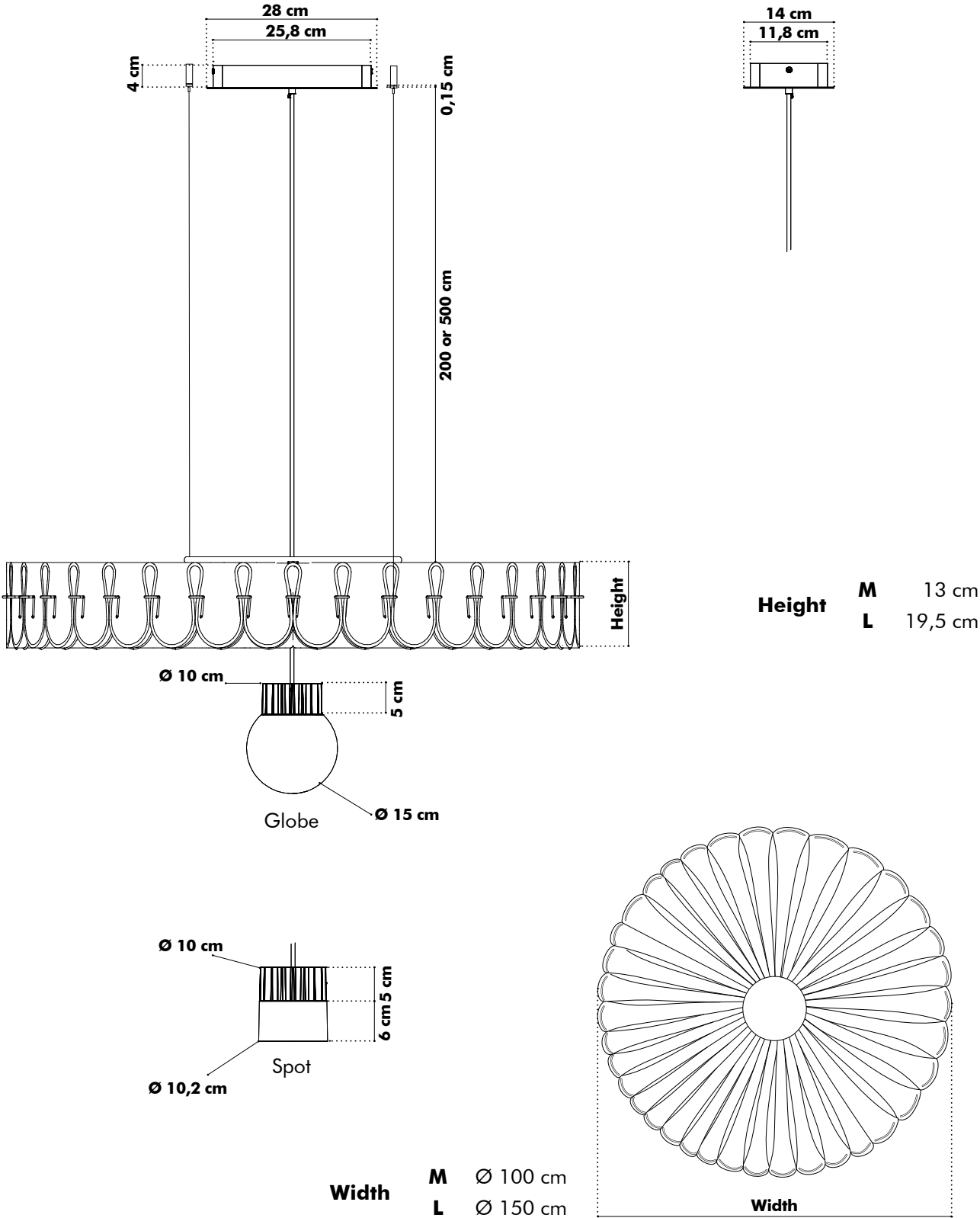


## Globe Polar curve

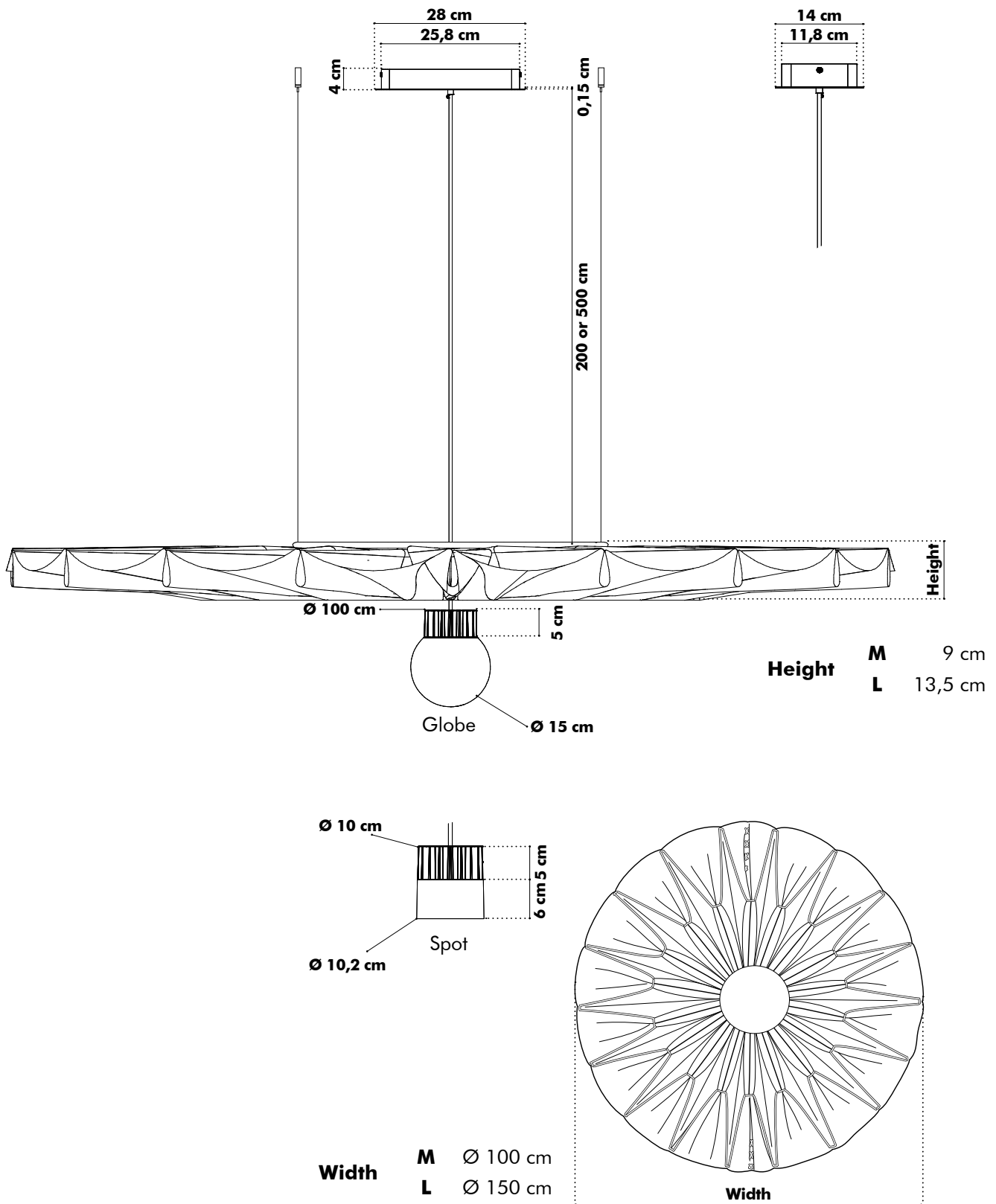


# Dimensions

## BuzziPleat Light Ripple



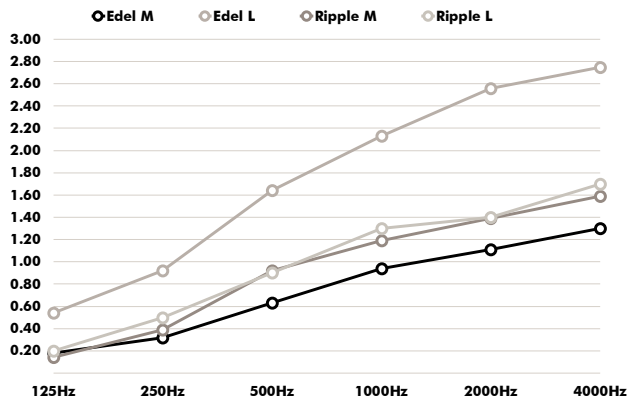
# BuzziPleat Light Edel



# Acoustics

## BuzziPleat Ceiling

Equivalent sound absorption area in m<sup>2</sup> per object



Hz	Edel M Aeq/m <sup>2</sup>	Edel L Aeq/m <sup>2</sup>	Ripple M Aeq/m <sup>2</sup>	Ripple L Aeq/m <sup>2</sup>
125	0.18	0.54	0.14	0.20
250	0.32	0.92	0.39	0.50
500	0.63	1.64	0.92	0.90
1000	0.94	2.13	1.19	1.30
2000	1.11	2.56	1.39	1.40
4000	1.30	2.75	1.59	1.70

