

BuzziShield Hook
Soundabsorbing Freestanding Panel

asset
space becomes place

BuzziShield Hook Product Specification Sheet

This document contains technical
information about the BuzziShield Hook



www.buzzi.space







Create snug environments without building walls

BuzziShield Hook is a lightweight and flexible acoustic solution that not only helps to mitigate sound but also adds an unexpected design element within any workspace due to its 7 cm/2.8 in thick upholstered body and elegant curve. Combine more than one BuzziShield Hook to create snug areas for focus work, meetings, or collaborations to occur without having to build walls or partition it between desks to create private workstations.

The adaptable BuzziShield Hook arrives in two different shapes, Flat and Wedge; two different heights, medium (150 cm/ 59 in) and high (180 cm/71 in); and comes in either a left or right variation. BuzziShield Hook can also be dressed in a variety of fabrics and colors to suit your decor needs.

Design by BuzziSpace Studio

General

-  BuzziShield Hook
Flat | Wedge
Left | Right
-  Upholstered acoustic foam element
Cover: Fabric, Trevira CS+, Trevira CS, Revive 1, Clara 2, Remix 3, Hero, Tonus 4, Memory 2
-  Dry Use
-  Unassembled

Acoustics



Absorption



Attenuation



Low Tone



Mid tone



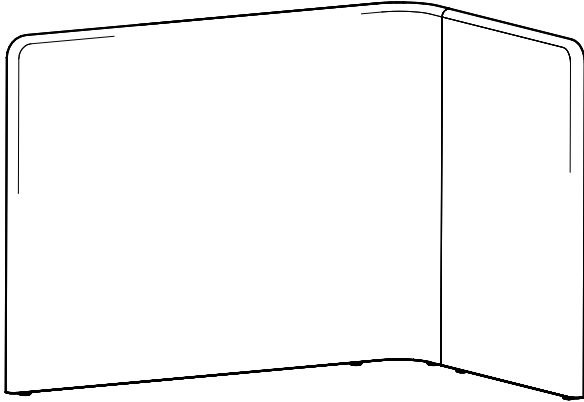
High tone

Content

Configurations	3
Shapes	4
Orientation	4
Components	5
Fabrics	6
Dimensions	9
Acoustics	17

Configuration

BuzziShield Hook Flat



Left | Right

Upholstered acoustic foam element



Cover: Fabric, Trevira CS+ | CS, Revive 1, Clara 2, Remix 3, Hero, Tonus 4, Memory 2

Medium: Height 150 cm | 59.06 inch
Length 200 cm | 78.74 inch
Width 135 cm | 53.15 inch

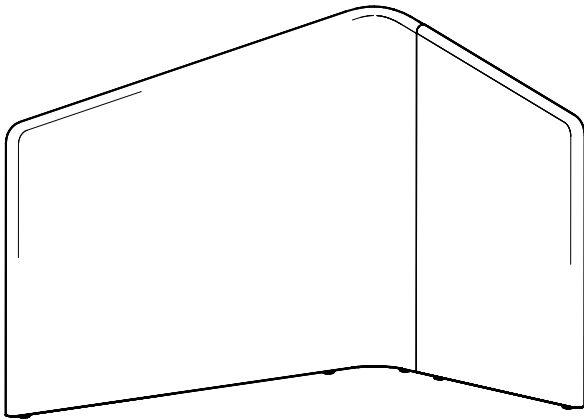


High: Height 180 cm | 70.87 inch
Length 200 cm | 78.74 inch
Width 135 cm | 53.15 inch



Medium: 25,4 kg | 56 lbs
High: 29,9 kg | 65.92 lbs

BuzziShield Hook Wedge



Left | Right

Upholstered acoustic foam element



Cover: Fabric, Trevira CS+ | CS, Revive 1, Clara 2, Remix 3, Hero, Tonus 4, Memory 2

Medium: Height 150 cm | 59.06 inch
Length 200 cm | 78.74 inch
Width 135 cm | 53.15 inch



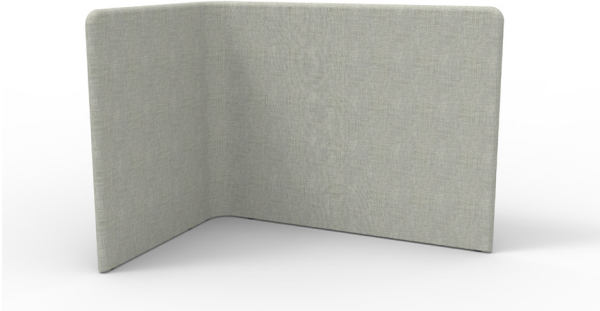
High: Height 180 cm | 70.87 inch
Length 200 cm | 78.74 inch
Width 135 cm | 53.15 inch



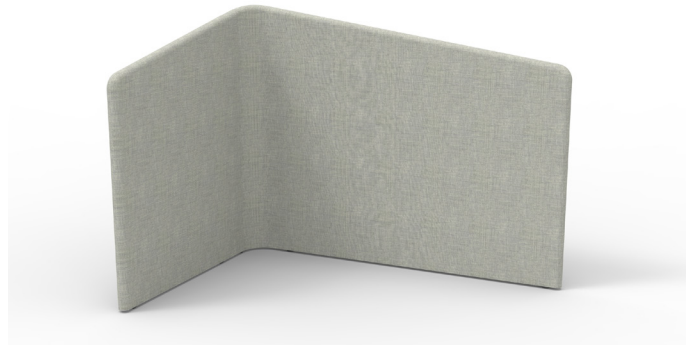
Medium : 24 kg | 52.91 lbs
High : 28 kg | 61.73 lbs

Shapes

Flat



Wedge



Orientation

Left

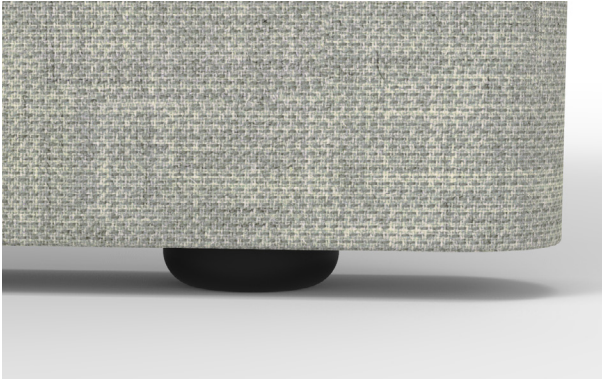


Right



Components

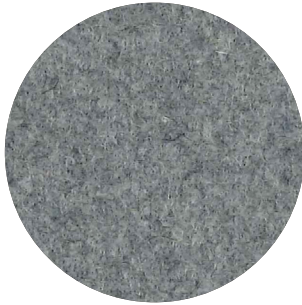
Plastic Feet



5 plastic feet

Fabrics

Fabric



Category A

Composition 70% Recycled Wool, 25% Recycled Polyacryl,
5% Recycled Other Fabrics

Weight 405 g/m² | 11.94 oz/yd²

Abrasion resistance 40.000 Martindale, 50,000 Wyzenbeek

Flammability EU: EN 1021.1/2006 | BS EN 1021.1/2006 (cigarette).
EN 1021.2/2006 | BS EN 1021.2/2006 (match)
USA: CAL TB 117 | ASTM E84 CLASS A

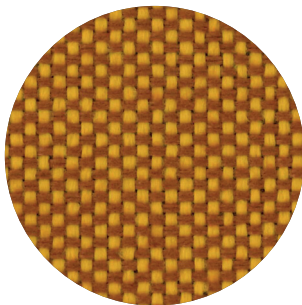
Fastness to light EU: 4 | USA 4

Fastness to rubbing EU: Wet 3-4 | Dry 4-5

Fastness to crocking USA: Wet 5 | Dry 5



Trevira CS+ | CS



Category A

Weight 420 g/m² | 12.39 oz/yd²

Composition 100% Polyester, Trevira CS

Abrasion resistance 100.000 Martindale, 90,000 Wyzenbeek

Flammability BS 5852 part II: CRIB 5 | BS 7176 Medium Hazard
USA: CAL TB 117 | M1 | B1 | EN 1021/1-2 | C1 |
IMO Res. A652 (16)

Fastness to light EU: 6 | USA 5

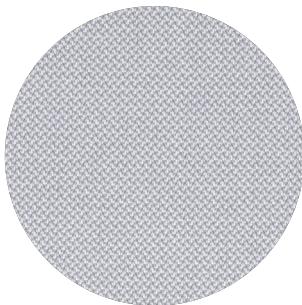
Fastness to rubbing EU: Wet 4-5 | Dry 4-5

Fastness to crocking USA: Wet 5 | Dry 5



Revive 1

kvadrat



Category A

Composition 100% recycled polyester FR

Weight 430 g/lin.m

Abrasion resistance 60.000 Martindale rubs, EN ISO 12947

Flammability EN 1021-1/2 | DIN 4102 B1 | Önorm B1/Q1
UNI 9175 1IM | US Cal. Tech. Bull. 117
IMO A.652 (16)

Fastness to light Note 5-7, ISO 105-B02

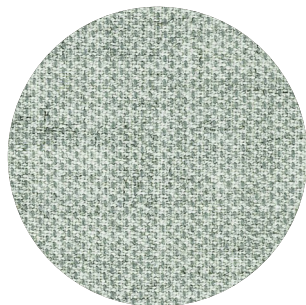
Fastness to rubbing (ISO) dry 5, wet 4-5

Pilling Note 4-5, EN ISO 12945



Clara 2

kvadrat



Category B

Composition 92% new wool, 8% nylon

Weight 400 g/lin.m

Abrasion resistance 80.000 Martindale rubs, EN ISO 12947

Flammability EN 1021-1/2 | BS 5852, ignition source 2-3 | DIN 4102 B2
NF D 60 013 | UNI 9175 11M | US Cal. Tech. Bull. 117, Sec. E
NFPA 260 | IMO A.652(16)

Fastness to light Note 5-7, ISO 105-B02

Fastness to rubbing (ISO) dry 4-5, wet 4

Pilling Note 4, EN ISO 12945



Remix 3

kvadrat



Category B

Composition 90% new wool, 10% nylon

Weight 415 g/lin.m

Abrasion resistance 100.000 Martindale rubs, EN ISO 12947

Flammability EN 1021-1/2 | BS 5852 part 1
Önorm B1/Q1 | NF D 60 013 | UNI 9175, 11M
AS/NZS 1530.3 | Cal. Tech. Bull. 117-2013
NFPA 260 | IMO FTP Code 2010:Part 8

Fastness to light Note 5-7, ISO 105-B02

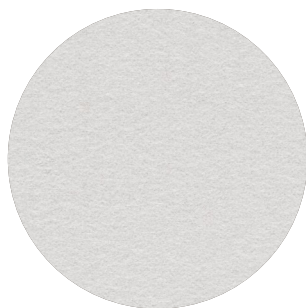
Fastness to rubbing (ISO) dry 4-5, wet 4

Pilling Note 4, EN ISO 12945



Hero

kvadrat



Category C

Composition 96% new wool, 4% nylon

Weight 580 g/lin.m

Abrasion resistance 45.000 Martindale rubs, EN ISO 12947

Flammability EN 1021-1/2 | DIN 4102 B2 | NF D 60 013
UNI 9175 11M | US Cal. Bull. 117-2013 | NFPA 260
IMO A.652 (16)

Fastness to light Note 5-6, ISO 105-B02

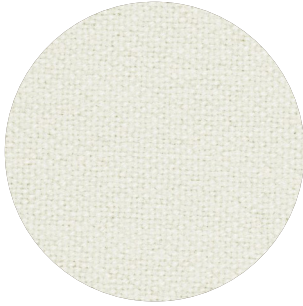
Fastness to rubbing (ISO) dry 4-5, wet 4-5

Pilling Note 3-4, EN ISO 12945



Tonus 4

kvadrat



Category D

Composition 90% new wool, 10% Helanca

Weight 665 g/lin.m

Abrasion resistance 100.000 Martindale rubs, EN ISO 12947

Flammability EN 1021-1/2 | BS 5852 part 1 | DIN 4102 B2

Önorm B1/Q1 | NF D 60 013 | UNI 9175 11M

US Cal. Bull. 117-2013 | NFPA 260 | IMO A.652 (16)

Fastness to light Note 5-7, ISO 105-B02

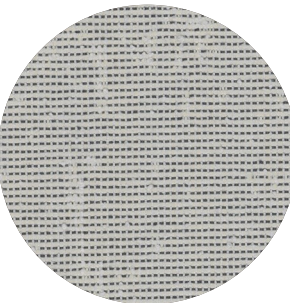
Fastness to rubbing (ISO) dry 3-5, wet 3-5

Pilling Note 3, EN ISO 12945



Memory 2

kvadrat



Category E

Composition 100% Trevira CS

Weight 700 g/lin.m

Abrasion resistance

35.000 rubs acc. to the Martindale method, EN ISO 12947

Flammability EN 1021-1/2 | DIN 4102 B1 | Önorm B1/Q1

NF D 60 013 | NF P 92 507 M1 | UNI 9175 11M

UNI 9177 classe 1 | US Cal. Tech. Bull. 117

IMO A.652 (16)

Fastness to light Note 5-8, ISO 105-B02

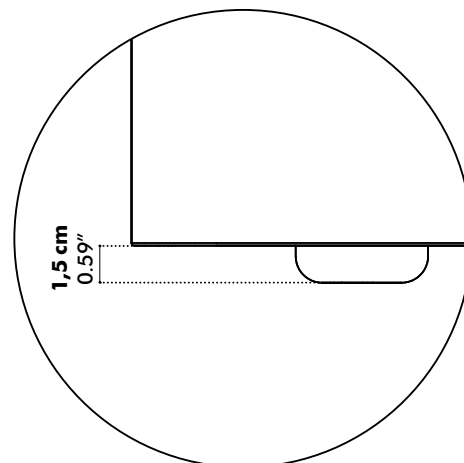
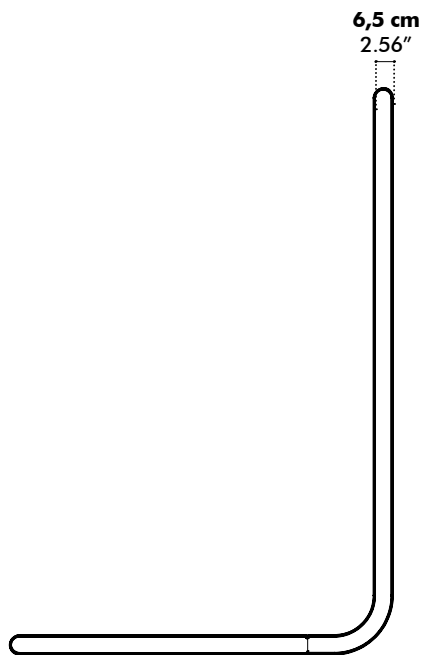
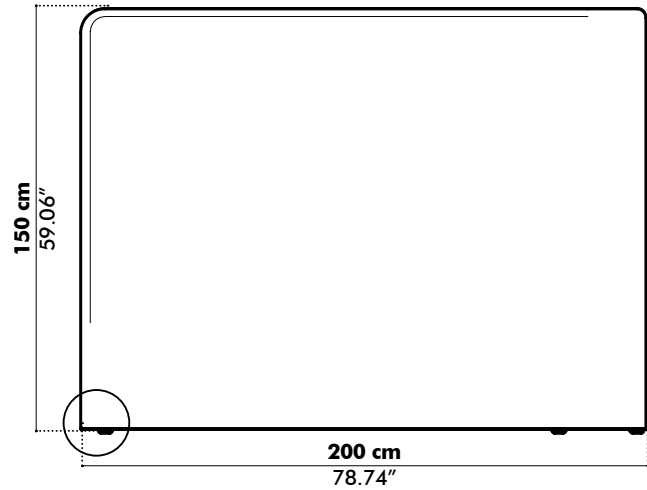
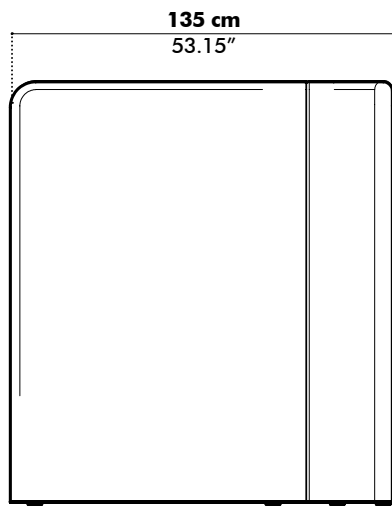
Fastness to rubbing (ISO) dry 4-5, wet 4-5

Pilling Note 4, EN ISO 12945

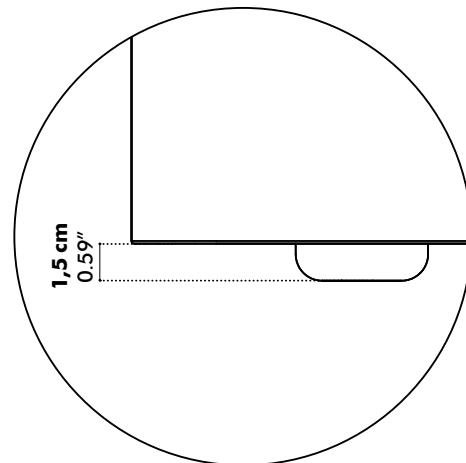
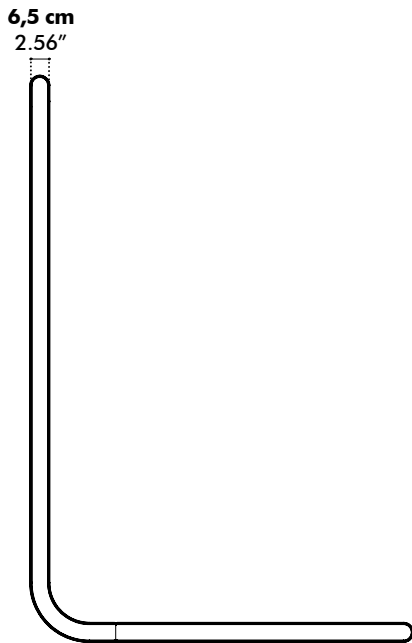
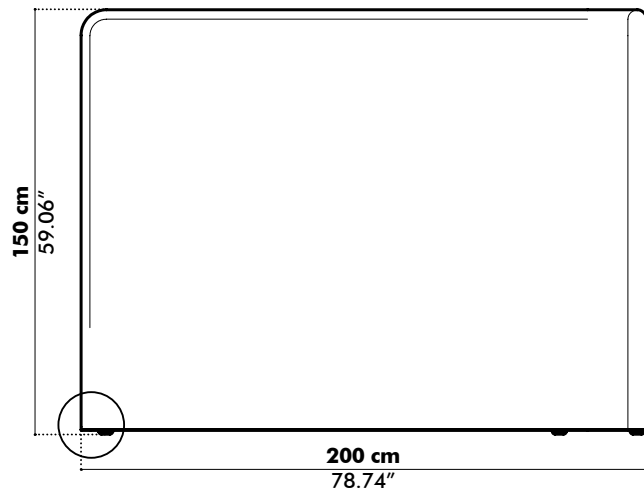
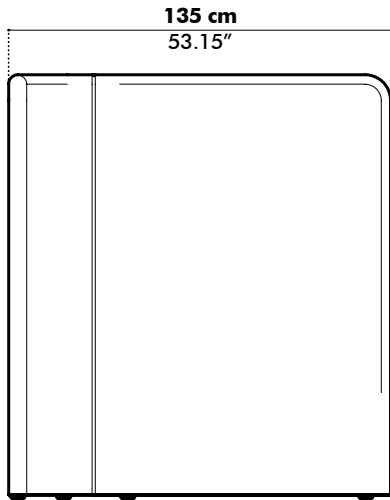


Dimensions

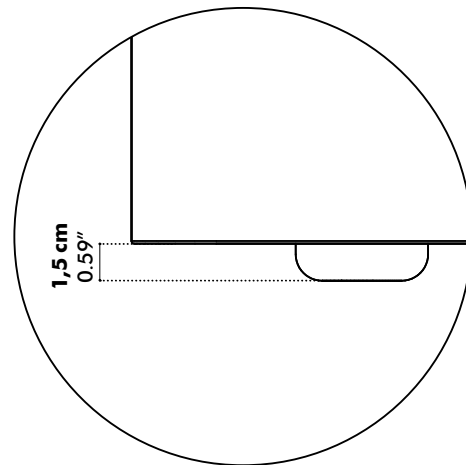
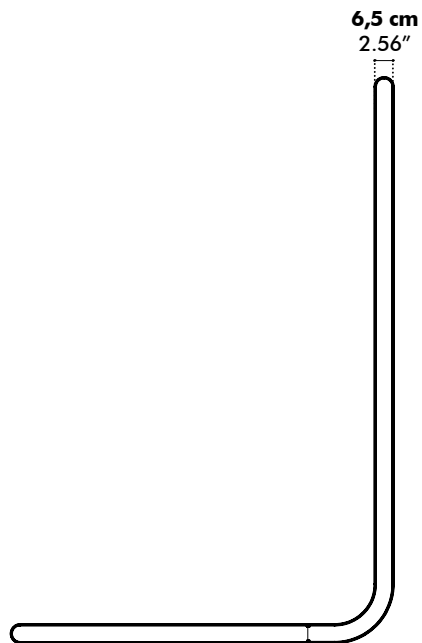
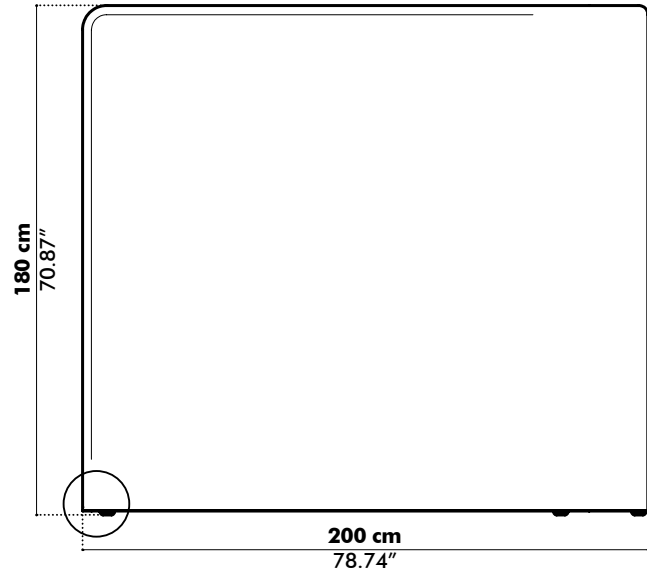
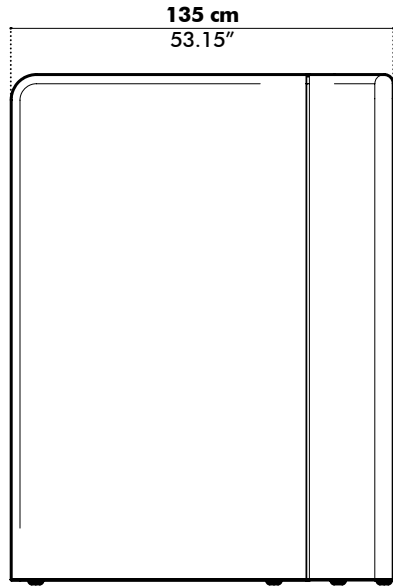
BuzziShield Hook Flat Medium Right



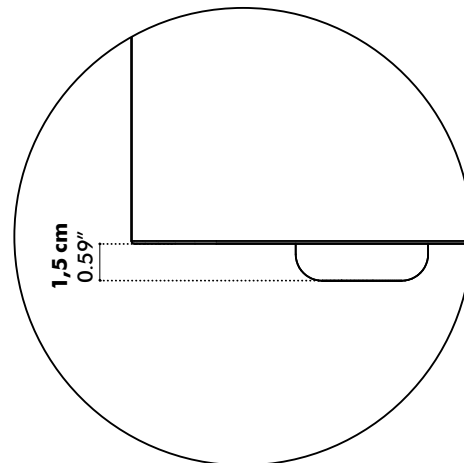
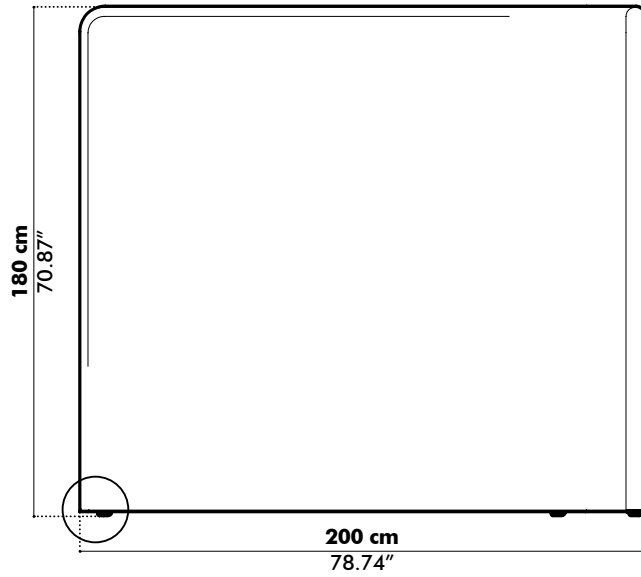
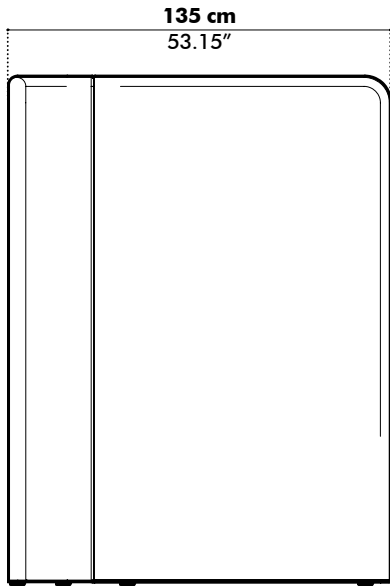
BuzziShield Hook Flat Medium Left



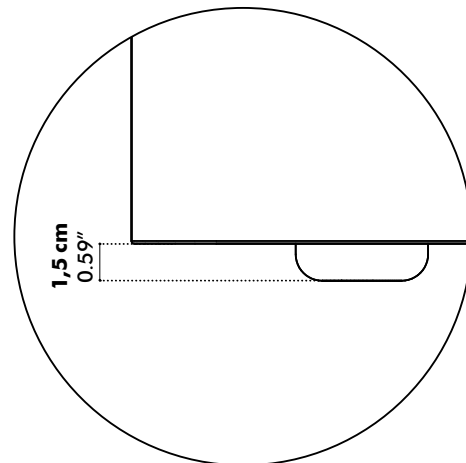
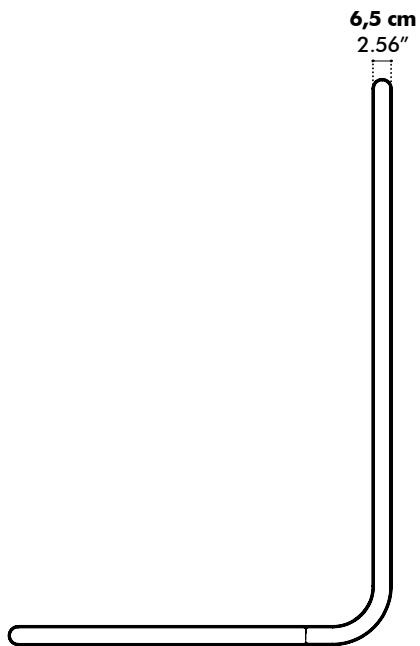
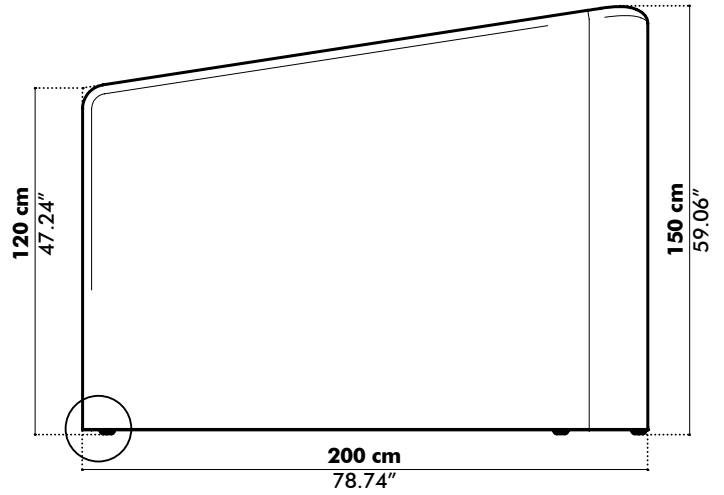
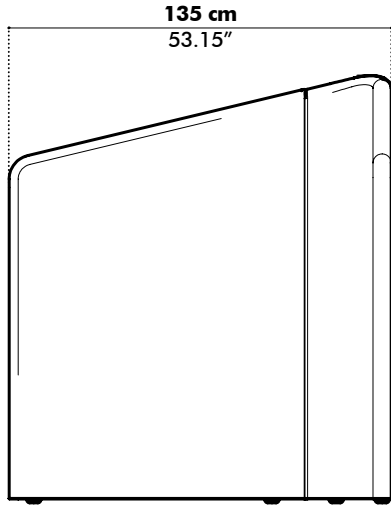
BuzziShield Hook Flat High Right



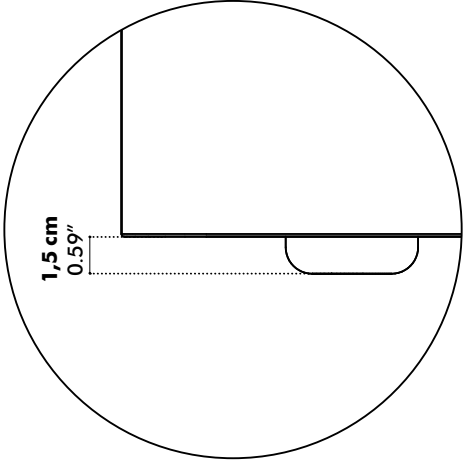
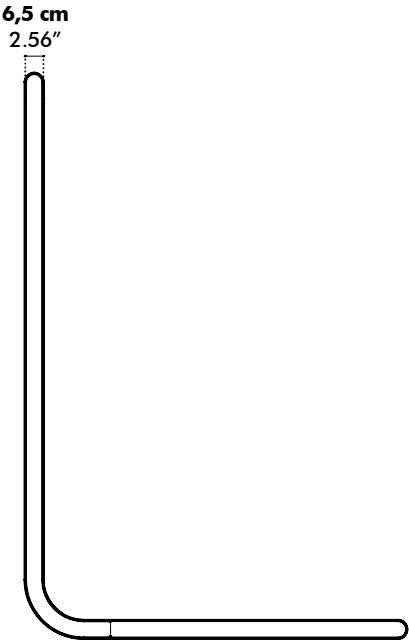
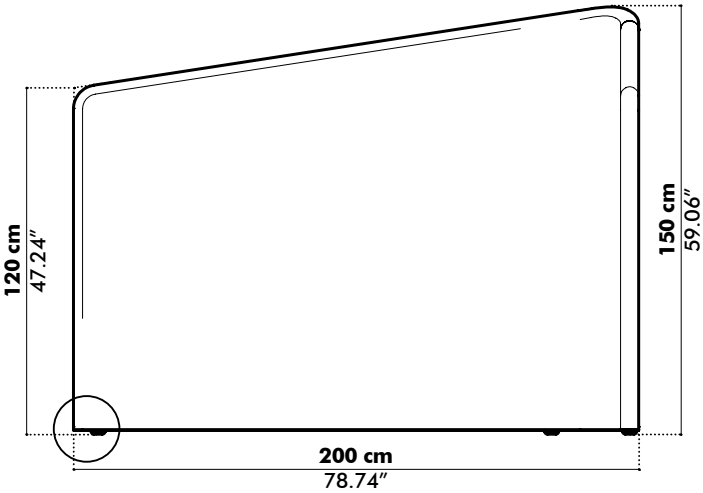
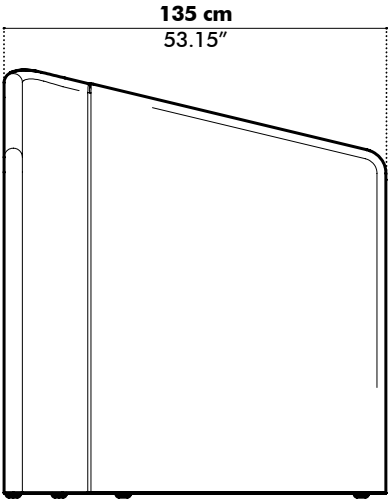
BuzziShield Hook Flat High Left



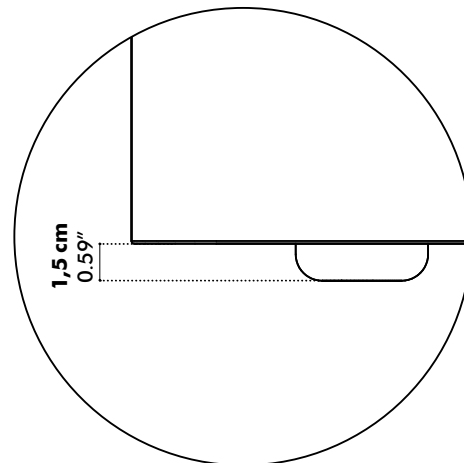
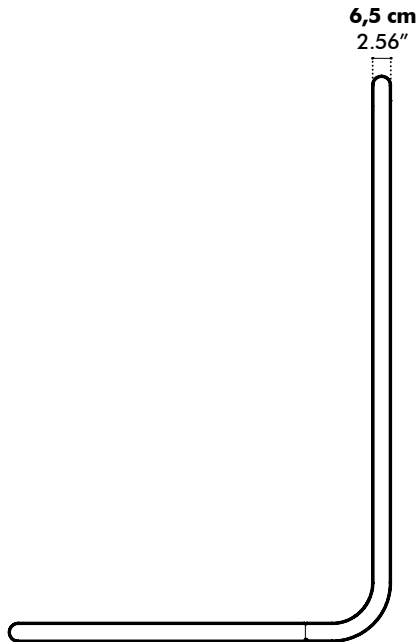
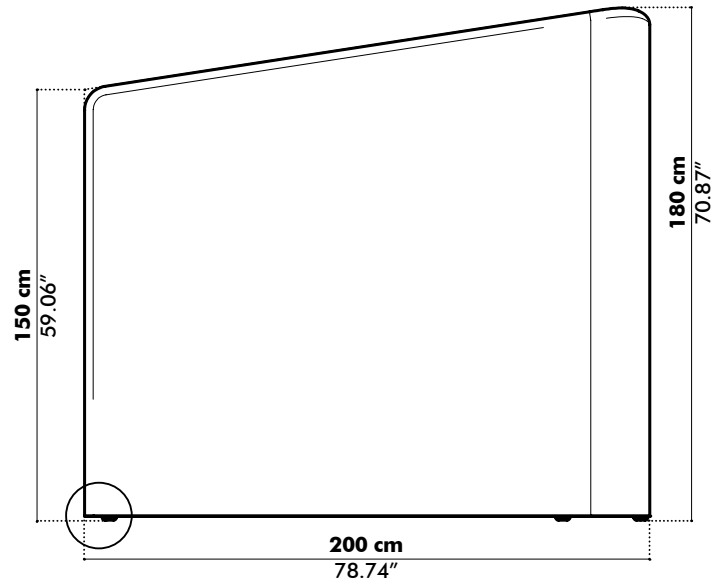
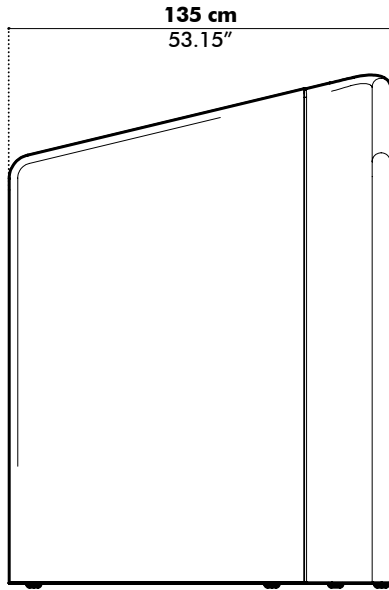
BuzziShield Hook Wedge Medium Right



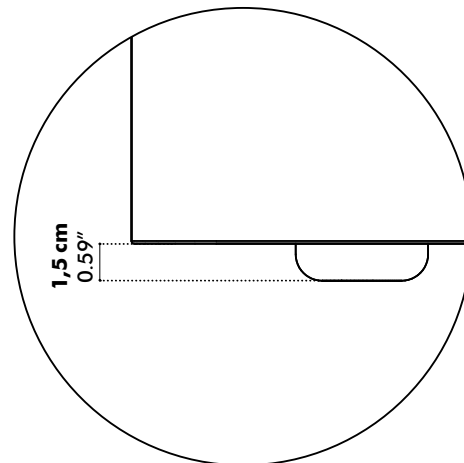
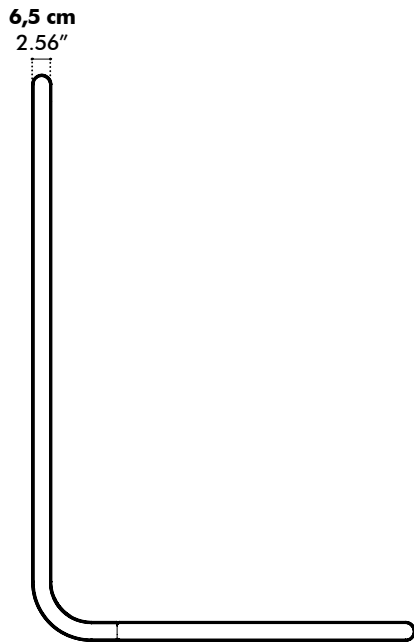
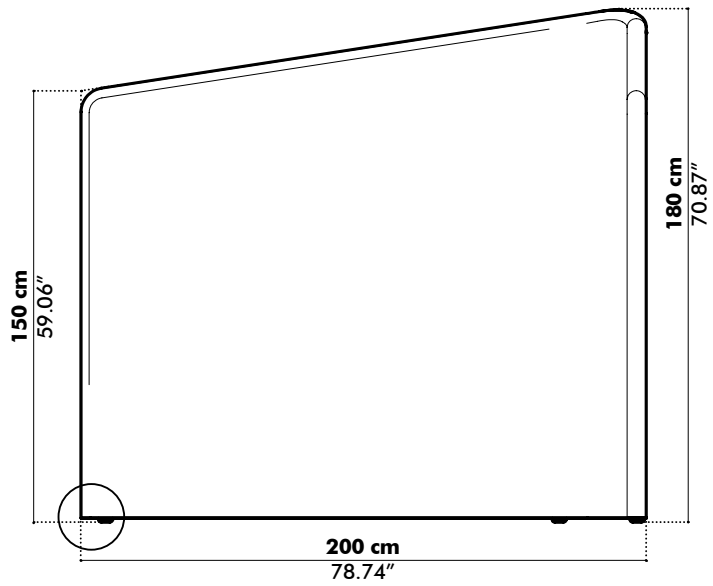
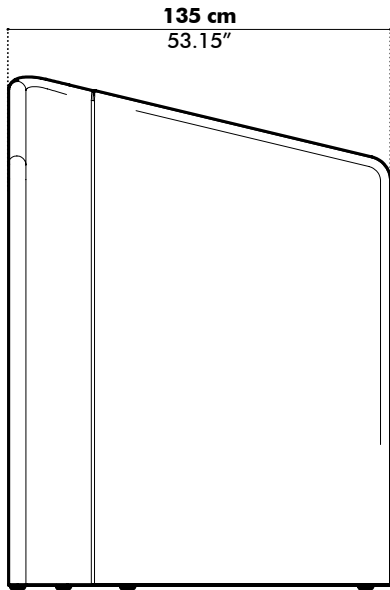
BuzziShield Hook Wedge Medium Left



BuzziShield Hook Wedge High Right



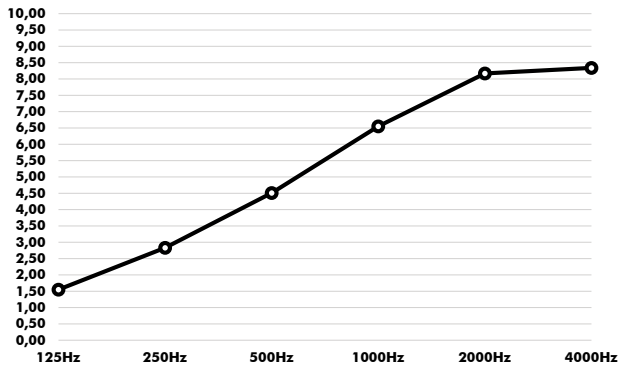
BuzziShield Hook Wedge High Left



Acoustics

BuzziShield Hook Wedge High

Equivalent sound absorption area in m² per object



Hz	Aeq/m ²
125	1,55
250	2,83
500	4,51
1000	6,55
2000	8,17
4000	8,34

