

BuzziVille
Open Booth

asset
space becomes place

BuzziVille

Product Specification Sheet

This document contains technical information about the BuzziVille



www.buzzi.space



Upholstered workstations

BuzziVille allows you to develop your own little village in the office, complete with social interaction. You become the architect of your own workplace.

The concept of BuzziVille stemmed from the idea that it ought to be possible to combine private cocoons in the office with more informal and accessible meeting rooms. This allows people to work in peace as well as spending time with colleagues to brainstorm and socialize.

The result is an extremely flexible and modular freestanding system that can easily be rearranged.

Design by Alain Gilles

General

- 📍 Predefined Setups: Booth, Booth Standing, Hub, Hub Open
Inspiration Models: Work, Snake, Focus, Club
Ville CIY (Configure It Yourself)
- ☁️ Dry use

Acoustics



Absorption



Diffusion



Attenuation



Mid tone



High tone

Certifications



Content

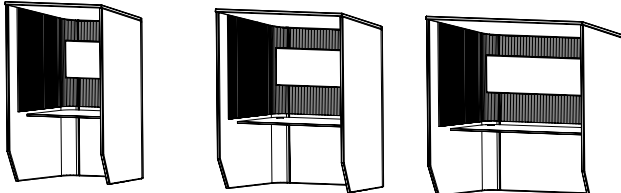
Configurations	3
Components	7
Electrification	8
Backlight	11
BuzziVille CIY Do's and Don'ts	13
Fabrics	15
Dimensions	17
Acoustics	28

Configurations

Predefined setups

The easiest way to start building is with the BuzziVille predefined models.

BuzziVille Booth



Small

Medium

Large

Included: Backlight LED, 3 grommets in front and zipper in the back

Core: Plywood: 1,8 cm | 0.71"

Cover: Foam covered with fabric in Flat or 3D

Worktop: Antwerp Oak with cutout:

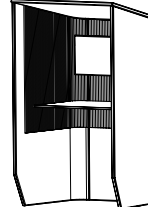
1 central W 8 cm L 32 cm | W 3.15" L 12.60"

1 side Ø 8 cm | 3.15" for Small

2 side Ø 8 cm | 3.15" for Medium and Large

Optional: White Laminate WT

BuzziVille Booth Standing



Small

Included: Backlight LED, 3 grommets in front and zipper in the back

Core: Plywood: 1,8 cm | 0.71"

Cover: Foam covered with fabric in Flat or 3D

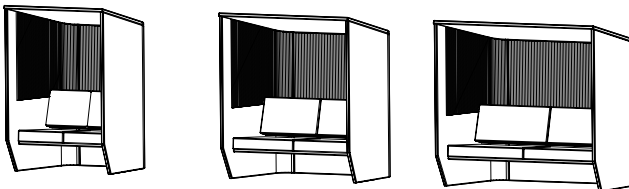
Worktop: Antwerp Oak with cutout:

1 central W 8 cm L 32 cm | W 3.15" L 12.60"

1 side Ø 8 cm | 3.15"

Optional: White Laminate WT

BuzziVille Hub



Small

Medium

Large

Included: 1 grommet inside below bench

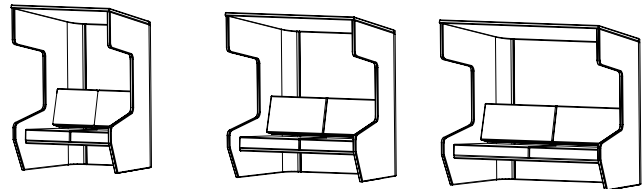
Core: Plywood: 1,8 cm | 0.71"

Cover: Foam covered with fabric in Flat or 3D

Optional: tablet behind bench in Oak or White Laminate

Optional: LED Backlight

BuzziVille Hub Open



Small

Medium

Large

Included: 1 grommet inside below bench

Core: Plywood: 1,8 cm | 0.71"

Cover: Foam covered with fabric (only in Flat no 3D)

Optional: tablet behind bench in Oak or White Laminate

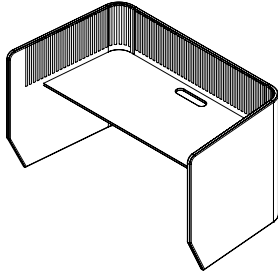
Optional: LED Backlight

Inspiration Models

Let these inspiration models guide you when building your own BuzziVille setup.

Dimensions of these predefined setups are dependent on the size of the panels you choose. All models are available in 4 heights: 120, 135, 150 & 180 cm | 47.24", 53.15", 59.06", 70.86"

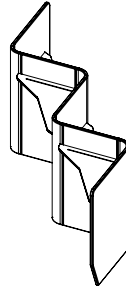
Work



Components (used in above example)

Panel Start/Stop	Right	Qty: 1
Panel Start/Stop	Left	Qty: 1
Panel Mid	Large	Qty: 1
Worktop Flat cutout central	Large	Qty: 1

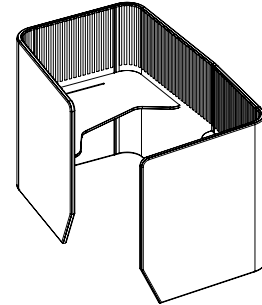
Snake



Components (used in above example)

Panel Start/Stop	Right	Qty: 2
Panel S-connect	Right	Qty: 1
Panel Mid	Small	Qty: 2
Worktop Triangle	Large	Qty: 4
Grommet in 3 panels	-	Qty: 3

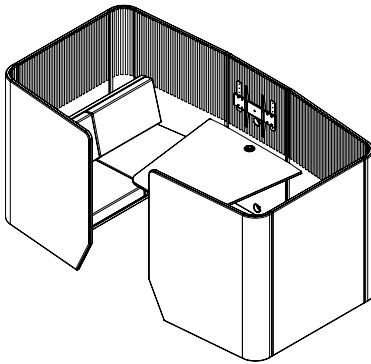
Focus



Components (used in above example)

Panel Start/Stop	Left	Qty: 1
Panel Start/Stop	Right	Qty: 1
Panel Mid	Small	Qty: 2
Panel J-connect	Right	Qty: 1
Worktop Shape	Left	Qty: 1
Worktop Triangle	Right	Qty: 1

Club



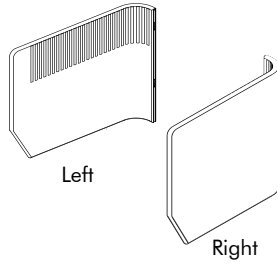
Components (used in above example)

Panel Start/Stop	Left	Qty: 1
Panel Start/Stop	Right	Qty: 1
Panel Mid	Medium	Qty: 2
Panel J-connect	Left	Qty: 1
Panel J-connect	Right	Qty: 1
Panel Mid Media	Small	Qty: 1
Worktop Club	Medium	Qty: 1
TV-Mount		Qty: 1
Bench	Medium	Qty: 2
Light		Qty: 2

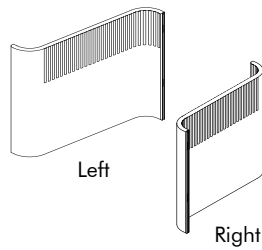
Configure it yourself (CIY)

Panels

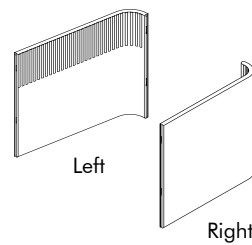
Start/Stop



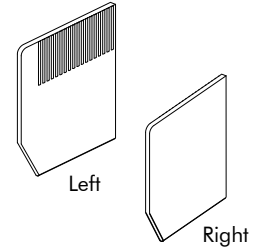
S-Connect



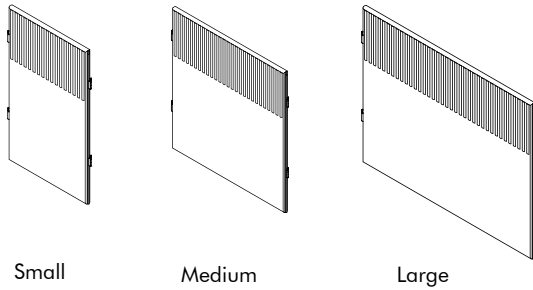
J-Connect



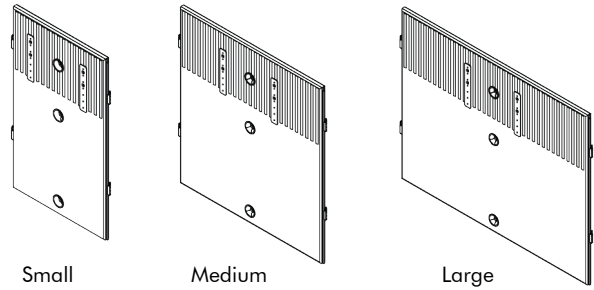
Mid End



Mid



Mid Media



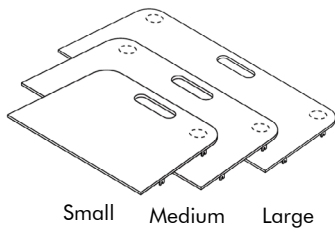
Core: Plywood: 1,8 cm | 0.71"

Cover: Foam covered with fabric in Flat or 3D

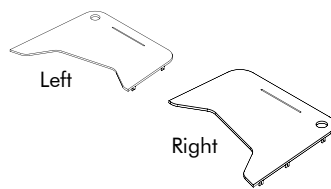
* TV-Mount optional

Worktops

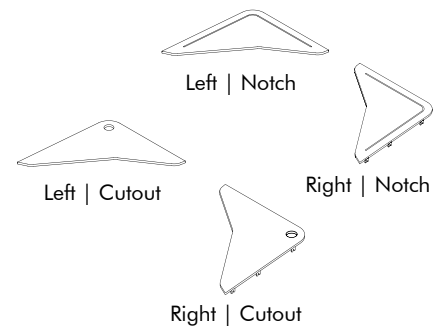
Flat



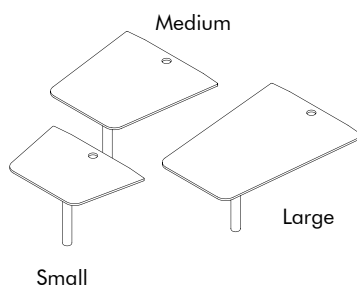
Shape



Triangle



Club



Worktop in Antwerp Oak or White Laminate made of plywood

Black (RAL 9005), Alu (RAL 9006) or White (RAL 9010) powder coated metal support (Club)

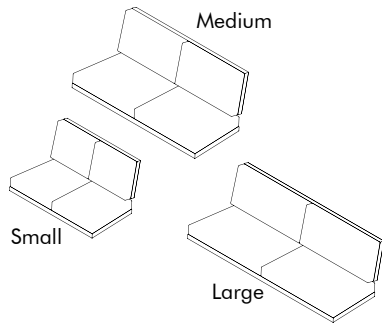
Black (RAL 9005) or Alu (RAL 9006) metal bracket

All Worktops can be installed at seating height (H 75 cm | 29.53") or standing height (H 108 cm | 42.52").

Club Worktop only available at seating height (H 75 cm | 29.53")

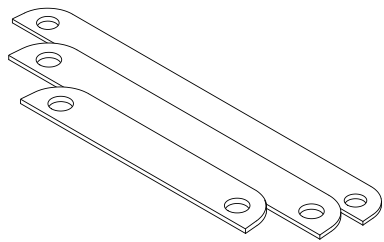
Add-ons

Bench



Core: Plywood: 1,8 cm | 0.71"
 Cover: Foam covered with fabric
 Optional: LED Light behind Bench

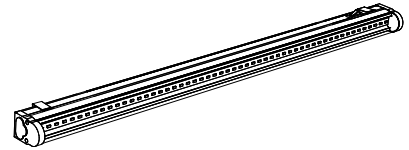
Tablet



Small Medium Large

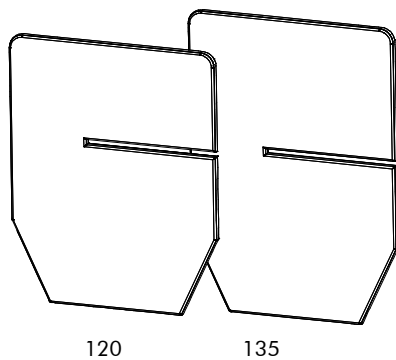
In combination with Bench only
 Available in Antwerp Oak or
 White Laminate made out of plywood

Backlight



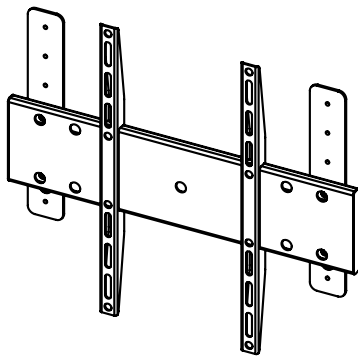
For more info see p.10

Splitpanel



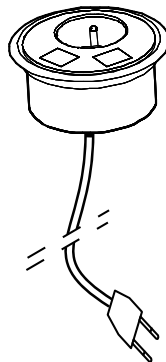
Core: Plywood: 1,8 cm | 0.71"
 Cover: Foam covered with fabric only in flat

TV-Mount



1x TV-Mount for 32" - 55"
 Metal powder coated in Black
 VESA 100 - 400 mm | 3.94" - 15.75"
 2x TV-Mount bracket
 Metal powder coated in Black

Electrification Unit



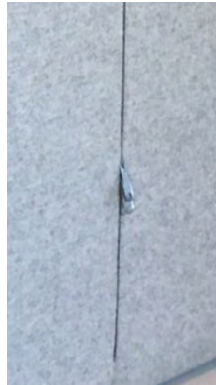
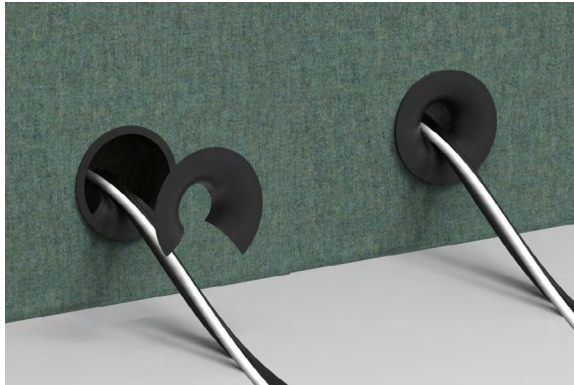
For more info see p.8

Components

Panels



Flat or 3D Rib
 Core: Poplar plywood: 1,8 cm | 0.71"
 Cover: Foam covered with fabric



Grommet in front and blind zipper on the back are integrated in Media Panel, BuzziBooth and BuzziBooth Standing for easy and clean wire management. BuzziHub and BuzziHub Open are also equipped with 1 grommet at position A. In Mid panel S-Connect and J-Connect 4 grommet positions are available measured from bottom of panel:
 A 8,5 cm | 3.35", B 65 cm | 25.59"
 C 98 cm | 38.58", D 150 cm | 59.06"
 (D only with panel height 180 cm | 70.87")

Worktops



Available in Antwerp Oak* or White Laminate with plywood core and oiled edges.



3 available cutouts:
 Cutout Side: Ø 8 cm
 Ø 3.15"
 S: 1 cutout right
 M, L: 2 cutouts
 Cutout Central: W 8 cm L 32 cm
 W 3.15" L 12.60"
 Notch: Ø 1 cm
 Ø 0.39"

Side

Central

Notch



Bracket



Support

Bracket: Black (RAL 9005) or Alu (RAL 9006)
 Support for Club:
 Black (RAL 9005), Alu (RAL 9006) or
 White (RAL 9010)

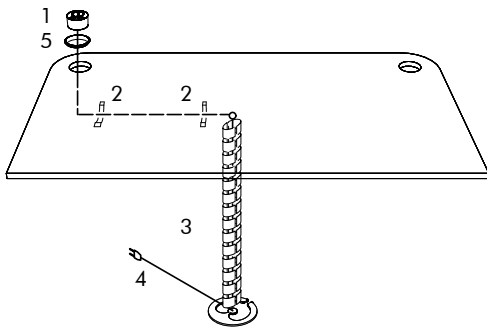
*These solid wood worktops may contain knots, natural color variations and drying splits as normal features of the product. This contributes to the uniqueness of each worktop.

Electrification (optional)

Select your optional electrification set in line with the cutout in your worktop

Netbox Point Single

Optional for all BuzziVille worktops with a \varnothing 8 cm | 3.15" hole

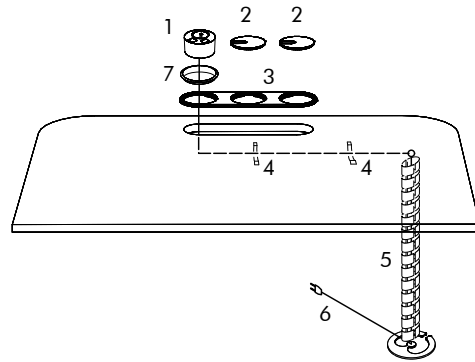


- | | |
|--|----|
| 1. Electrification Unit (Incl. Power Cable 2,9 m 114.17" Cable length) | 1x |
| 2. Horizontal Cable Clips | 2x |
| 3. Vertical Cable Manager | 1x |
| 4. Power Cable (3 m 118.11" Cable length) | 1x |
| 5. Cable entry cover | 1x |

* Can be ordered excl. wire management

Netbox Point Single with cover

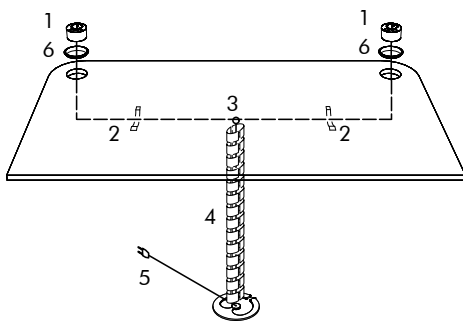
Optional for BuzziVille worktops with a cutout central



- | | |
|--|----|
| 1. Electrification Unit (Incl. Power Cable 2,9 m 114.17" Cable length) | 1x |
| 2. Cable Entry Insert | 2x |
| 3. Cable Entry Cover | 1x |
| 4. Horizontal Cable Clips | 2x |
| 5. Vertical Cable Manager | 1x |
| 6. Power Cable (3 m 118.11" Cable length) | 1x |
| 7. Cable entry cover | 1x |

Netbox Point Double

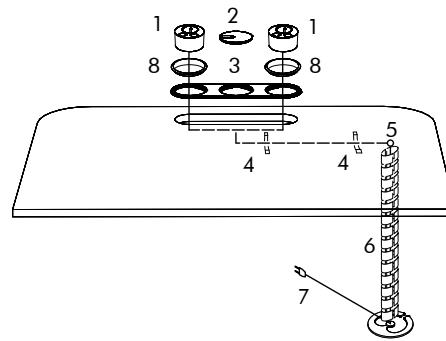
Optional for BuzziVille worktops with 2 x \varnothing 80 mm | 3.15" hole



- | | |
|--|----|
| 1. Electrification Unit (2x 1,4 m 55.12" Cable length) | 2x |
| 2. Horizontal Cable Clips | 2x |
| 3. Central Connection Block | 1x |
| 4. Vertical Cable Manager | 1x |
| 5. Power Cable (3 m 118.11" Cable length) | 1x |
| 6. Cable entry cover | 2x |

Netbox Point Double with cover

Optional for BuzziVille worktops with a cutout central




- | | |
|--|----|
| 1. Electrification Unit (2x 1,4 m 55.12" Cable length) | 2x |
| 2. Cable Entry Insert | 1x |
| 3. Cable Entry Cover | 1x |
| 4. Horizontal Cable Clips | 1x |
| 5. Central Connection Block | 1x |
| 6. Vertical Cable Manager | 1x |
| 7. Power Cable (3 m 118.11" Cable length) | 1x |
| 8. Cable entry cover | 2x |

Electrification Unit

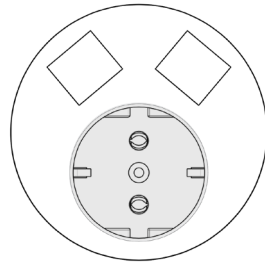
An electrification unit can be ordered for different regions.

F  NL|DE|LUX

E  BE|FR

G  UK

B  US

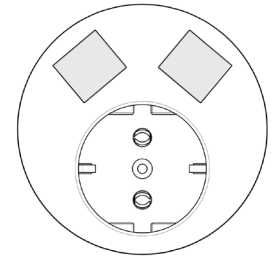


Each electrification unit includes a HDMI, DATA and USB module. It can be configured (by the customer) by snapping HDMI, DATA and/or USB 2.0 (not charging) in the grey zone.

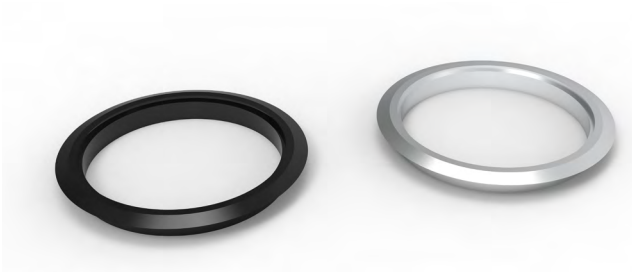
 HDMI

 DATA

 USB

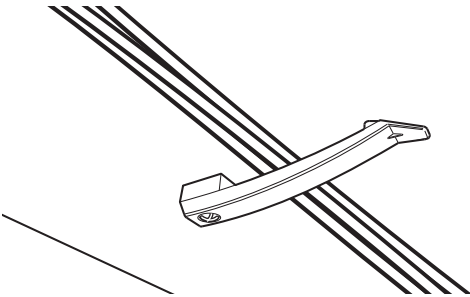


Cable entry cover



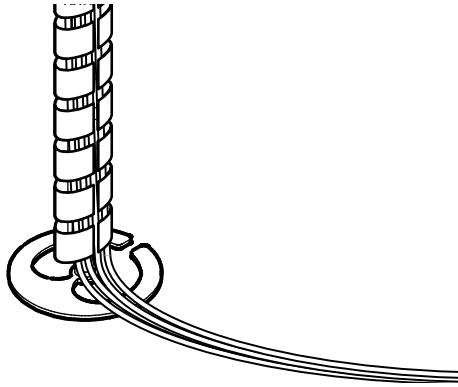
Available in black or alu

Horizontal Cable Clips



Color Grey
Can guide up to 8 cables 3G1,5

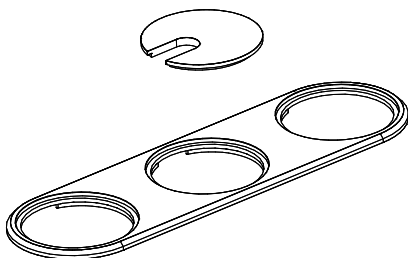
Vertical Cable Manager



Color: Black
Set for Worktop H 75 cm | 29.53": 16 chains
Set for Worktop H 108 cm | 42.52": 27 chains

- 1 set includes:
vertical cable runs, baseplate, table attachment, screw set
- Capacity up to ± 40 cables
- Material polypropylen (cable runs)
painted steel (baseplate)
- 2 chamber system
- Cables using the easy zip principle

Cable entry cover



Only available for worktops with cutout central
Anodized Aluminium cable entry cover
10 cm x 34 cm | 3.94" x 13.39" with 3 x 8 cm | 3 x 3.15" holes
Anodized Aluminium Cable entry insert 8 cm | 3.15"

Backlight (optional)

Backlighting can be optionally ordered with every Bench in your BuzziVille setup and with BuzziVille Hub and Hub Open.

Backlighting is always included with the BuzziVille Booth and BuzziVille Booth Standing.

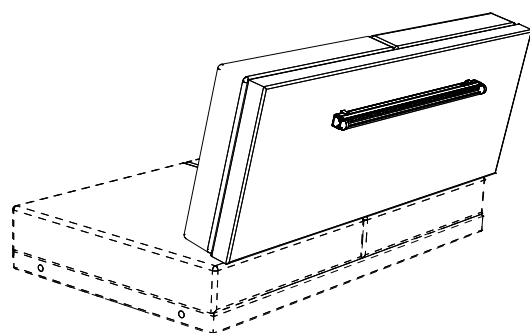
General

- Connectable integrated LED tube
 Located in the cable tray

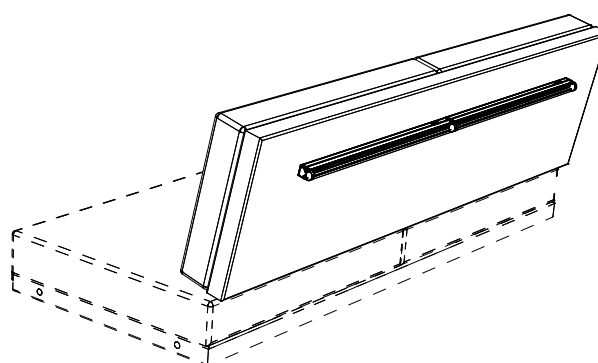
- Material: Aluminium body, Clear PC cover
 Power Cable White
 1 On-Off switch / element
 LED: SMD3014
 Color temperature: 3000 Kelvin
 Input Voltage / Frequency: 100 - 277 V 50/60 Hz
 incl. 4 m | 157.48" White Power cable

- Mounting clips
 Connector accessories

- cULus Listed E471267 or ETL Certified
 CE



Small



Medium | Large

BuzziVille

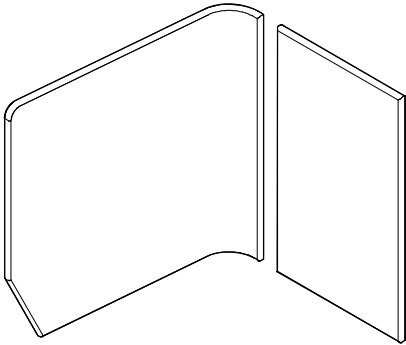
	Booth Single			Booth Standing
	Small	Medium	Large	Small
Qty LED tubes	2	4	4	2
Total wattage	14W	28W	28W	14W
LED tube dimensions	2 x 55,5 cm 2 x 21.85"	2 x 111 cm 2 x 43.70"	2 x 111 cm 2 x 43.70"	2 x 55,5 cm 2 x 21.85"
Total lumen	700 up 700 down	1400 up 1400 down	1400 up 1400 down	700 up 700 down
Power cable (4 m)	1	1	1	1

Hub | Hub Open | Bench

	Small	Medium	Large
Qty LED tubes	1	2	2
Total wattage	7W	14W	14W
LED tube dimensions	55,5 cm 21.85"	110 cm 43.70"	110 cm 43.70"
Total lumen	700	1400	1400
Power cable (4 m)	1	1	1

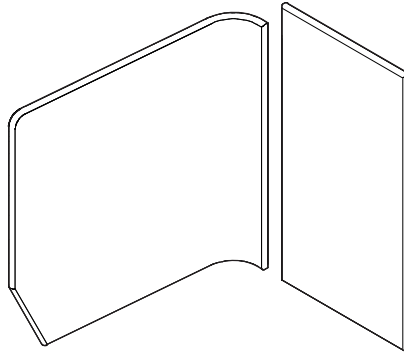
BuzziVille CIY Do's and Don'ts

Start/Stop Panel + Mid Panel



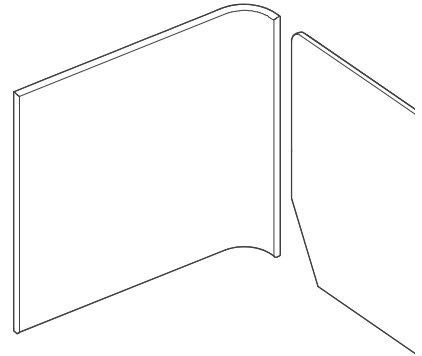
DO

Start/Stop H120 + Mid Panel H135



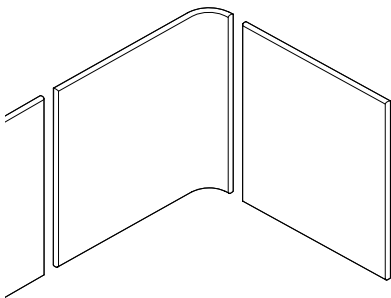
DON'T

J-Connect + Start/Stop



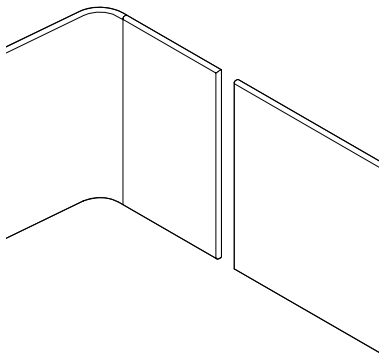
DON'T

Mid Panel + J-Connect + Mid Panel



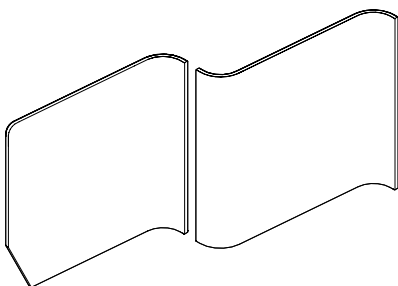
DO

Mid Panel + Mid Panel



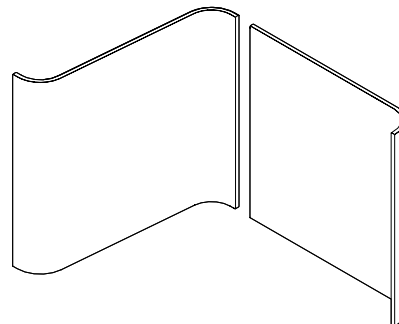
DON'T

Start/Stop Panel + S-Connect



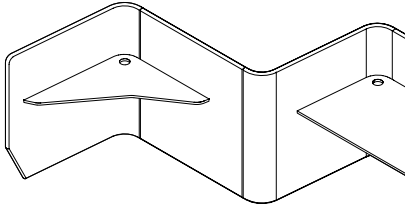
DON'T

S-Connect + J-Connect



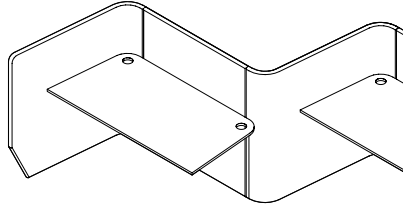
DON'T

Start/Stop + Mid Panel + S-Connect



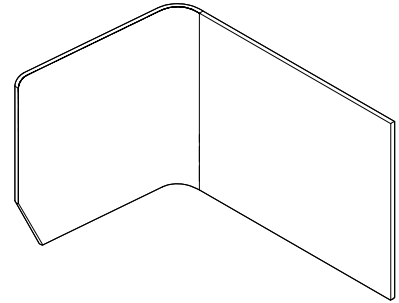
DO

Worktop unsupported on one side



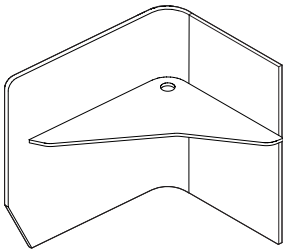
DON'T

Empty corner



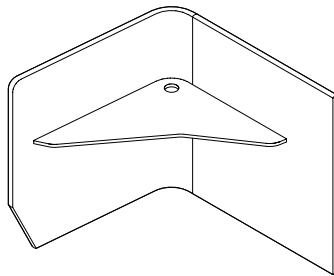
DO

Worktop Triangle + Mid Panel Small



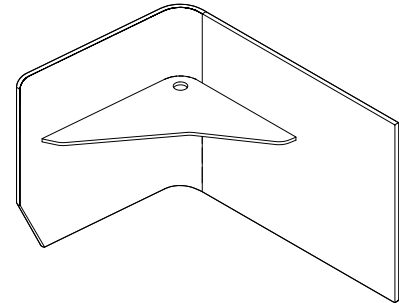
DO

Worktop Triangle + Mid Panel Medium



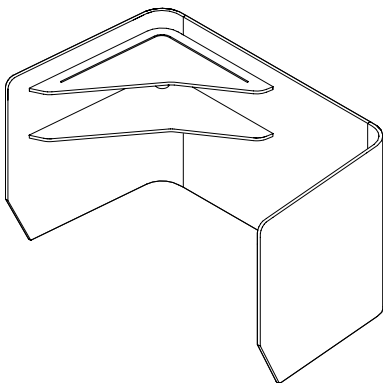
DO

Worktop Triangle + Mid Panel Large



DO

Worktop Triangle H 75 +
Worktop Triangle H 108



DO

Fabrics

⚠ Not all fabrics are available for every product.
Please check below in what fabric you can order your product.

Panel H 120 available in: Fabric, Trevira CS+ | CS, Revive 1, Clara 2, Remix 3

Panel H 135, 150, 180 available in: Fabric, Trevira CS+

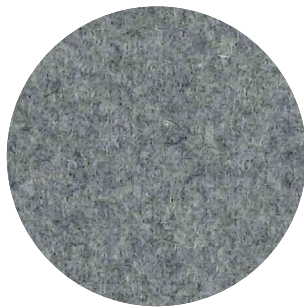
Bench available in: Fabric, Trevira CS+ | CS

Booth/Booth Standing: Fabric, Trevira CS+

Hub/Hub Open: Fabric, Trevira CS+

Split Panel: Fabric, Trevira CS+ | CS, Revive 1, Clara 2, Remix 3

Fabric



Category A

Composition 70% Recycled Wool, 25% Recycled Polyacryl,
5% Recycled Other Fabrics

Weight 405 g/m² | 11.94 oz/yd²

Abrasion resistance 40.000 Martindale, 50,000 Wyzenbeek

Flammability EU: EN 1021.1/2006 | BS EN 1021.1/2006 (cigarette).
EN 1021.2/2006 | BS EN 1021.2/2006 (match)
USA: CAL TB 117 | ASTM E84 CLASS A

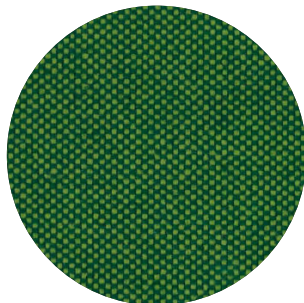
Fastness to light EU: 4 | USA 4

Fastness to rubbing EU: Wet 3-4 | Dry 4-5

Fastness to crocking USA: Wet 5 | Dry 5



Trevira CS+ | CS



Category A

Weight 420 g/m² | 12.39 oz/yd²

Composition 100% Polyester, Trevira CS

Abrasion resistance 100.000 Martindale, 90,000 Wyzenbeek

Flammability BS 5852 part II: CRIB 5 | BS 7176 Medium Hazard
USA: CAL TB 117 | M1 | B1 | EN 1021/1-2 | C1 |
IMO Res. A652 (16)

Fastness to light EU: 6 | USA 5

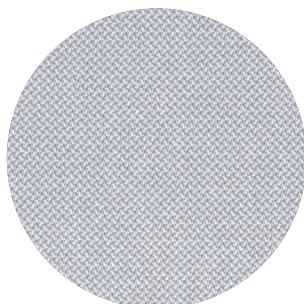
Fastness to rubbing EU: Wet 4-5 | Dry 4-5

Fastness to crocking USA: Wet 5 | Dry 5



Revive 1

kvadrat



Category A

Composition 100% recycled polyester FR

Weight 430 g/lin.m

Abrasion resistance 60.000 Martindale rubs, EN ISO 12947

Flammability EN 1021-1/2 | DIN 4102 B1 | Önorm B1/Q1
UNI 9175 11M | US Cal. Tech. Bull. 117
IMO A.652 (16)

Fastness to light Note 5-7, ISO 105-B02

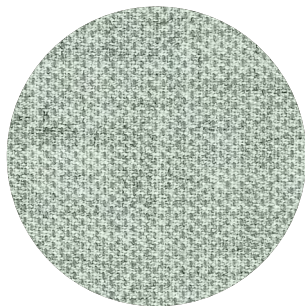
Fastness to rubbing (ISO) dry 5, wet 4-5

Pilling Note 4-5, EN ISO 12945



Clara 2

kvadrat



Category B

Composition 92% new wool, 8% nylon

Weight 400 g/lin.m

Abrasion resistance 80.000 Martindale rubs, EN ISO 12947

Flammability EN 1021-1/2 | BS 5852, ignition source 2-3 | DIN 4102 B2
NF D 60 013 | UNI 9175 1IM | US Cal. Tech. Bull. 117, Sec. E
NFPA 260 | IMO A.652(16)

Fastness to light Note 5-7, ISO 105-B02

Fastness to rubbing (ISO) dry 4-5, wet 4

Pilling Note 4, EN ISO 12945



Remix 3

kvadrat



Category B

Composition 90% new wool, 10% nylon

Weight 415 g/lin.m

Abrasion resistance 100.000 Martindale rubs, EN ISO 12947

Flammability EN 1021-1/2 | BS 5852 part 1
Önorm B1/Q1 | NF D 60 013 | UNI 9175, 1IM
AS/NZS 1530.3 | Cal. Tech. Bull. 117-2013
NFPA 260 | IMO FTP Code 2010:Part 8

Fastness to light Note 5-7, ISO 105-B02

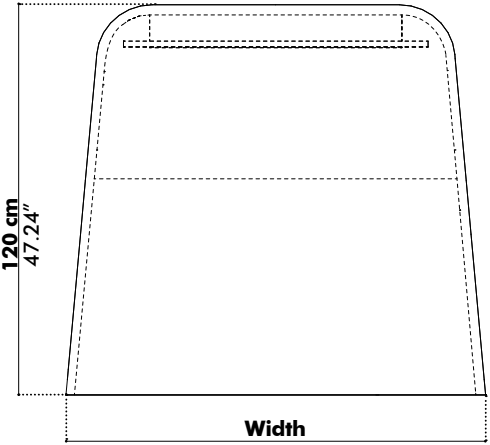
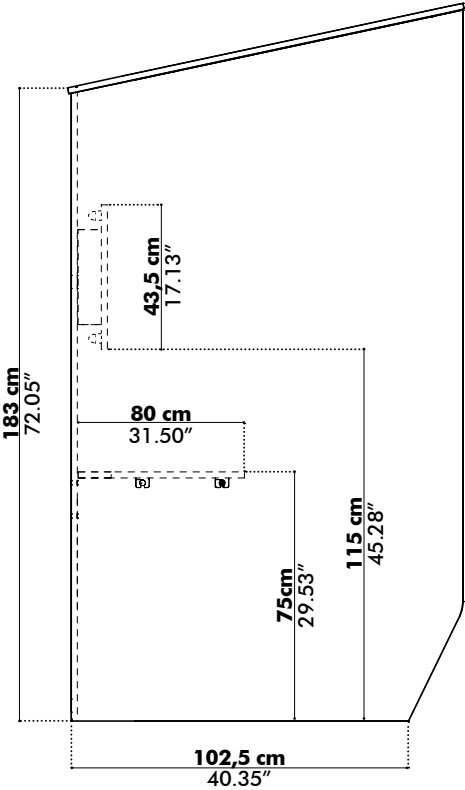
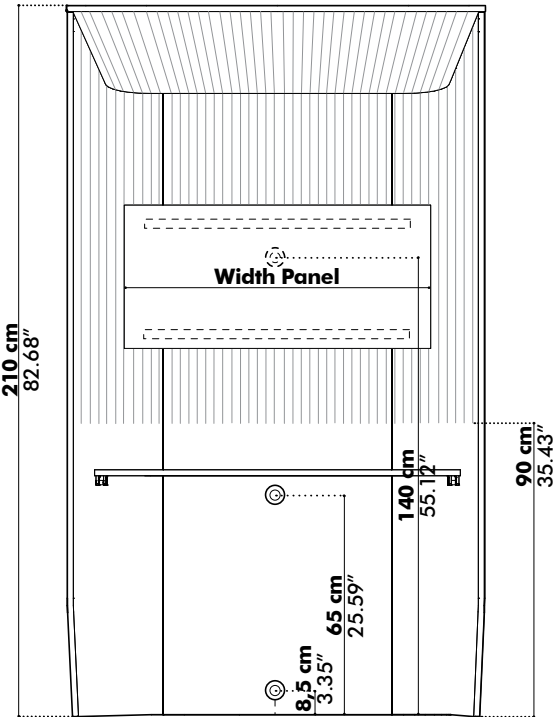
Fastness to rubbing (ISO) dry 4-5, wet 4

Pilling Note 4, EN ISO 12945



Dimensions Predefined Setups

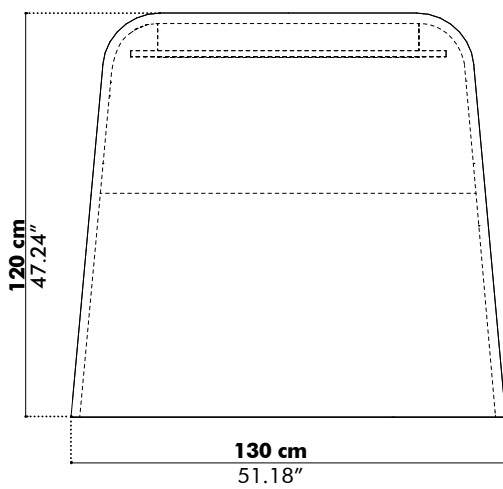
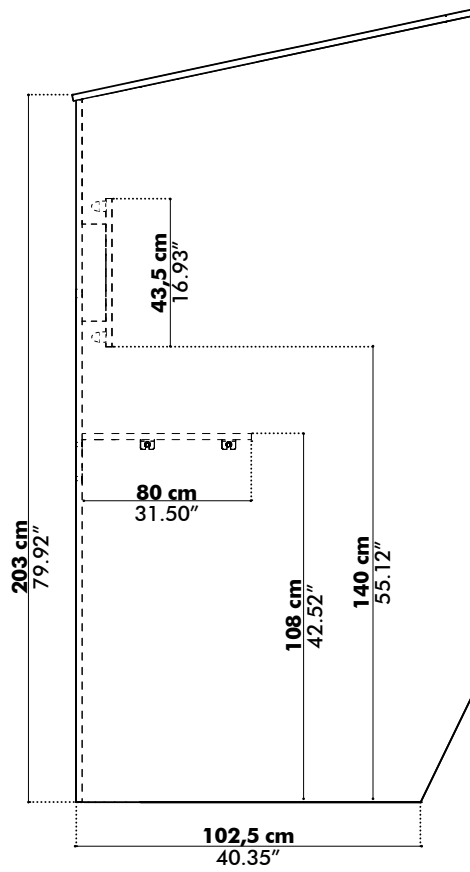
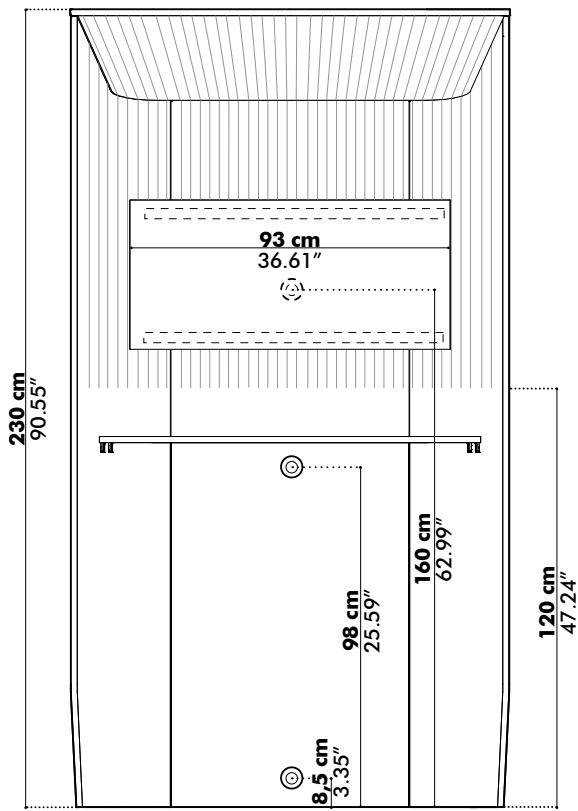
BuzziVille Booth



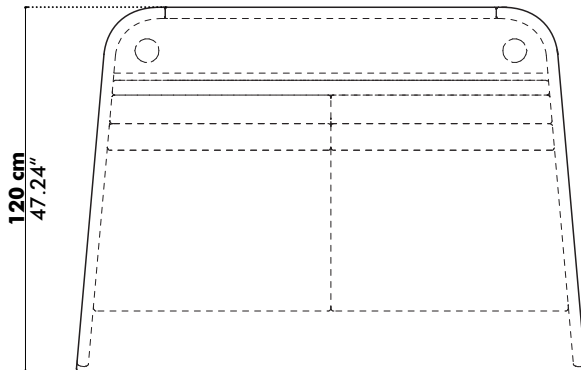
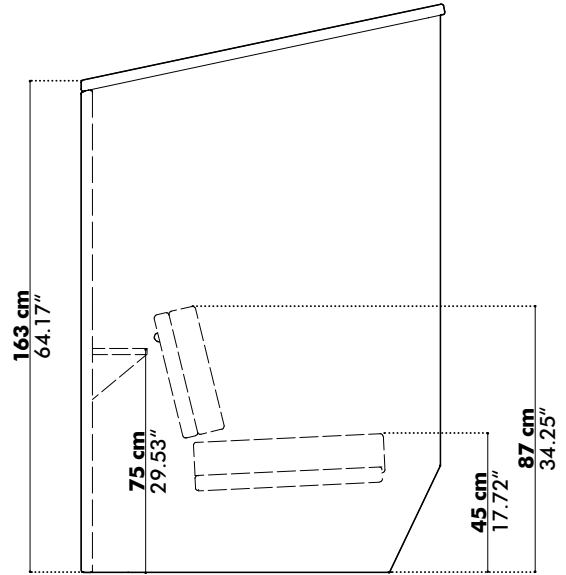
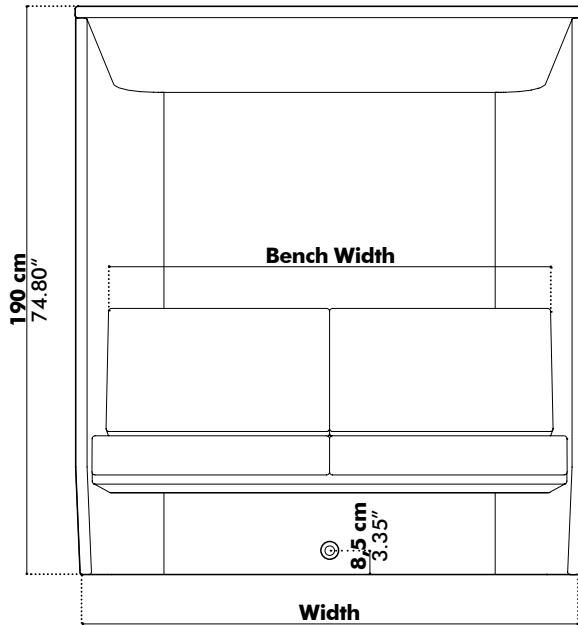
	Small	Medium	Large
Width	130 cm	170 cm	210 cm
	51.18"	66.93"	82.68"

	Small	Medium	Large
Width Panel	93 cm	133 cm	173cm
	36.61"	52.36"	68.11"

BuzziVille Booth Standing

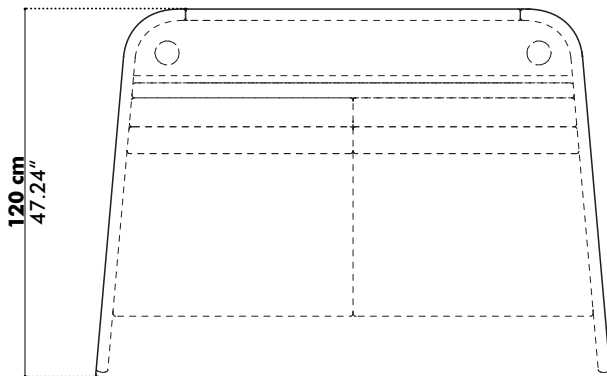
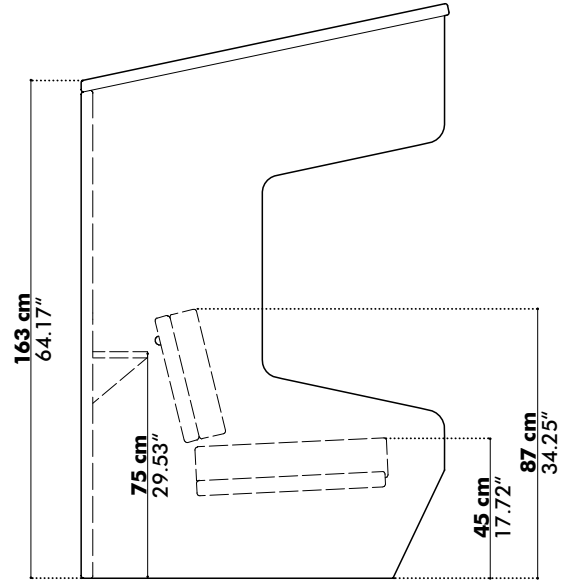
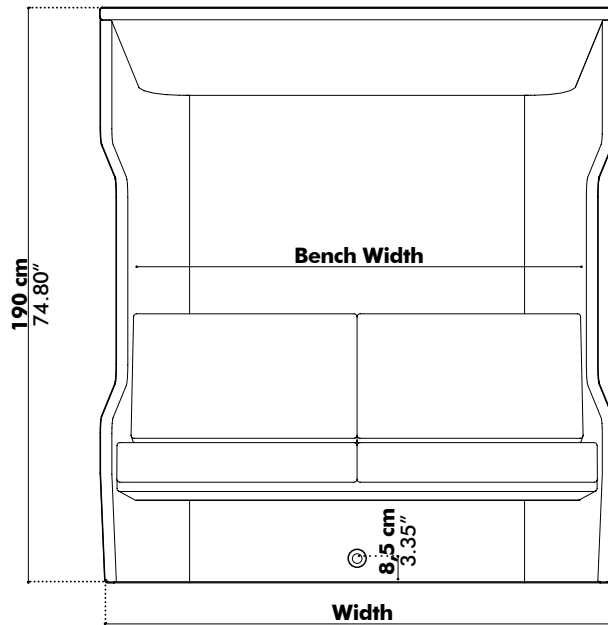


BuzziVille Hub



	Small	Medium	Large
Width	130 cm 51.18"	170 cm 66.93"	210 cm 82.68"
Bench Width	105 cm 41.34"	145 cm 57.09"	185 cm 72.83"

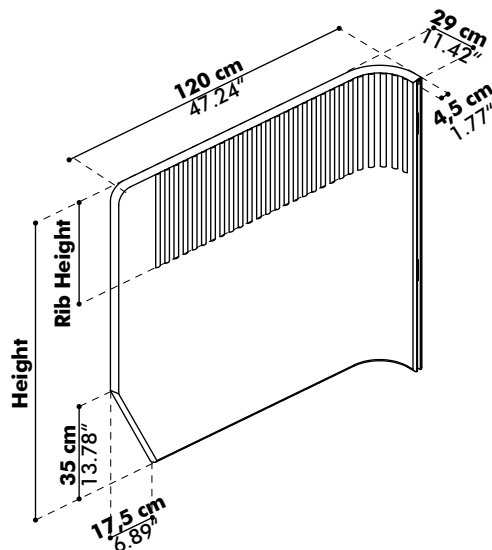
BuzziVille Hub Open



	Small	Medium	Large
Width	130 cm 51.18"	170 cm 66.93"	210 cm 82.68"
Bench Width	105 cm 41.33"	145 cm 57.09"	185 cm 72.83"

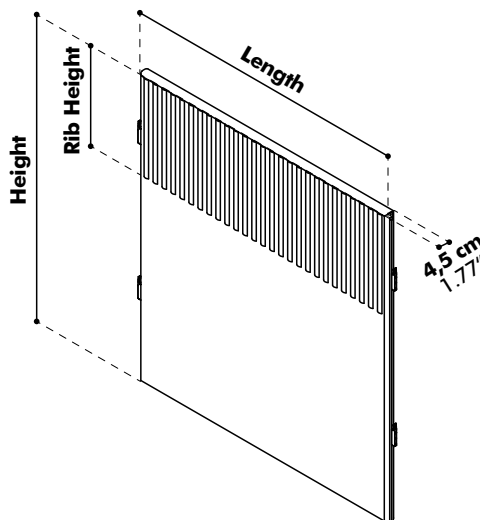
Dimensions BuzziVille Configure it yourself (CIY)

Start/Stop Panel



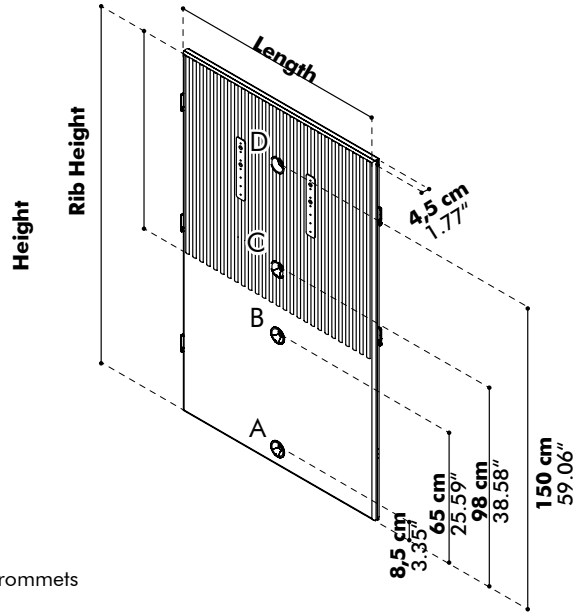
Start/Stop panel Left Right	120	135	150	180
Height	120 cm 47.24"	135 cm 53.15"	150 cm 59.06"	180 cm 70.87"
Rib Height	40 cm 15.75"	55 cm 21.65"	70 cm 27.56"	100 cm 39.37"

Mid Panel



Mid Panel	Small	Medium	Large	
Length	70 cm 27.56"	110 cm 43.31"	150 cm 59.06"	
	120	135	150	
Height	120 cm 47.24"	135 cm 53.15"	150 cm 59.06"	180 cm 70.87"
Rib Height	40 cm 15.75"	55 cm 21.65"	70 cm 27.56"	100 cm 39.37"

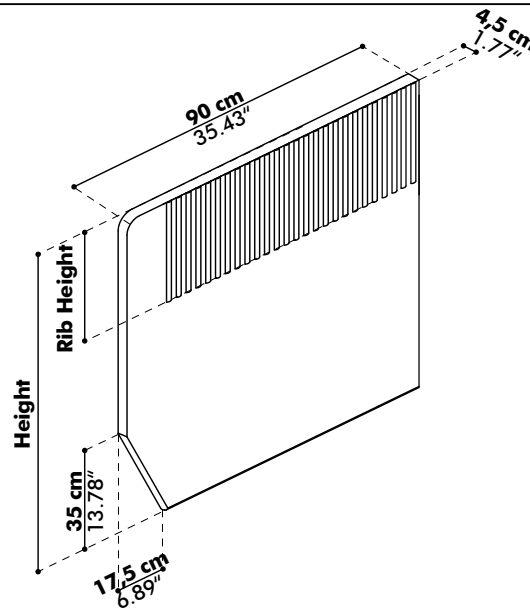
Mid Media Panel



Height 120, 135 and 150 have 3 grommets
 Height 180 has 4 grommets

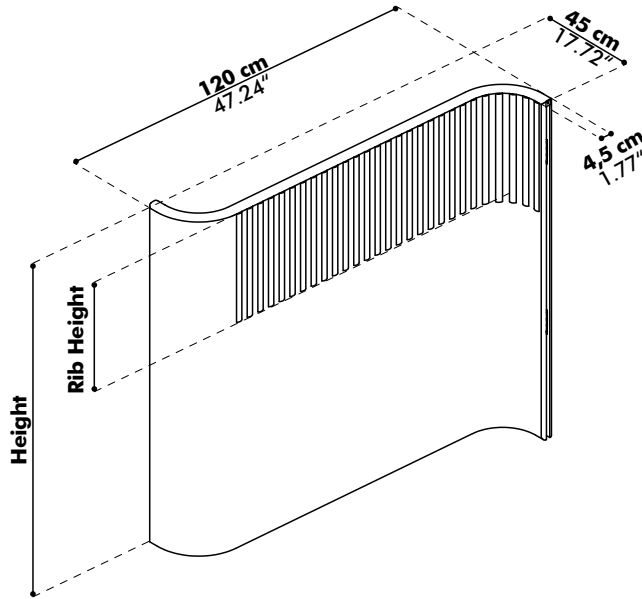
Mid Media Panel	Small	Medium	Large	
Length	70 cm 27.56"	110 cm 43.31"	150 cm 59.06"	
	120	135	150	180
Height	120 cm 47.24"	135 cm 53.15"	150 cm 59.06"	180 cm 70.87"
Rib Height	40 cm 15.75"	55 cm 21.65"	70 cm 27.56"	100 cm 39.37"

Mid End Panel



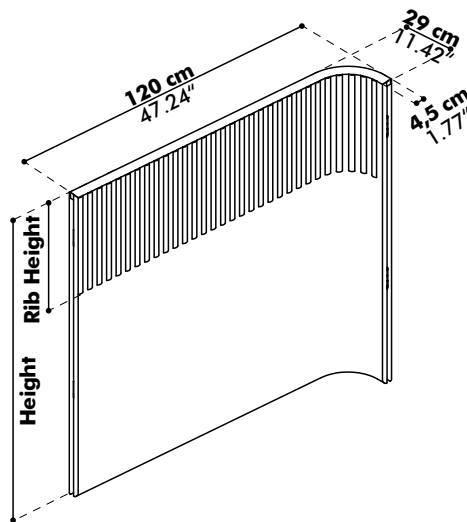
Mid End Panel Left Right	120	135	150	180
Height	120 cm 47.24"	135 cm 53.15"	150 cm 59.06"	180 cm 70.87"
Rib Height	40 cm 15.75"	55 cm 21.65"	70 cm 27.56"	100 cm 39.37"

S-connect Panel



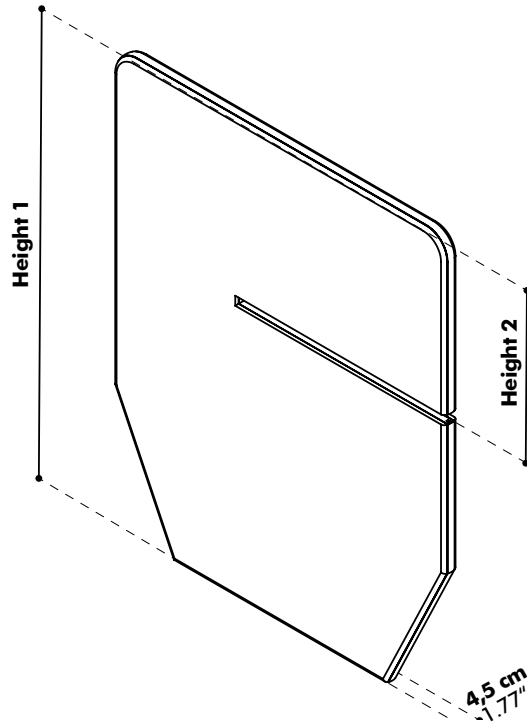
S - Connect Left Right	120	135	150	180
Height	120 cm 47.24"	135 cm 53.15"	150 cm 59.06"	180 cm 70.87"
Rib Height	40 cm 15.75"	55 cm 21.65"	70 cm 27.56"	100 cm 39.37"

J-connect Panel



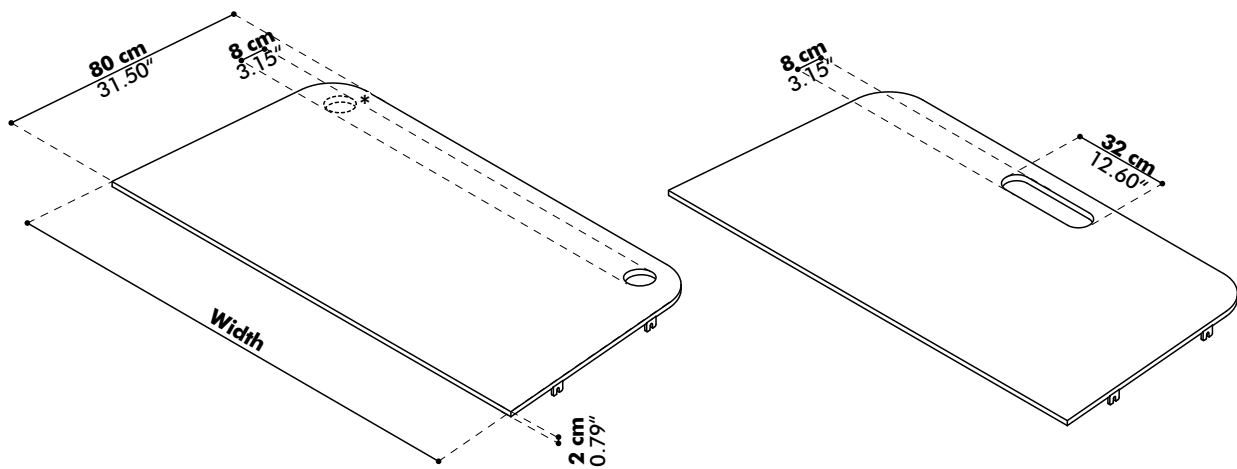
J-Connect Left Right	120	135	150	180
Height	120 cm 47.24"	135 cm 53.15"	150 cm 59.06"	180 cm 70.87"
Rib Height	40 cm 15.75"	55 cm 21.65"	70 cm 27.56"	100 cm 39.37"

Split Panel



Split Panel	120	135
Height 1	120 cm 47.24"	135 cm 53.15"
Height 2	44 cm 17.32"	59 cm 23.23"

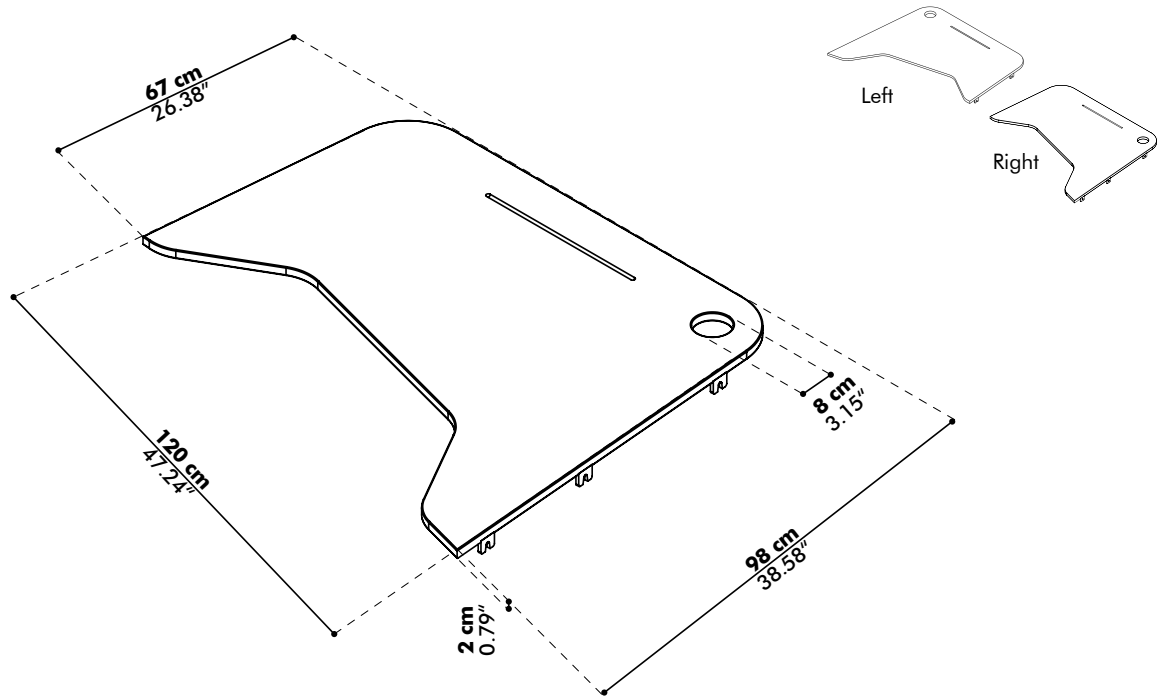
Flat Worktop



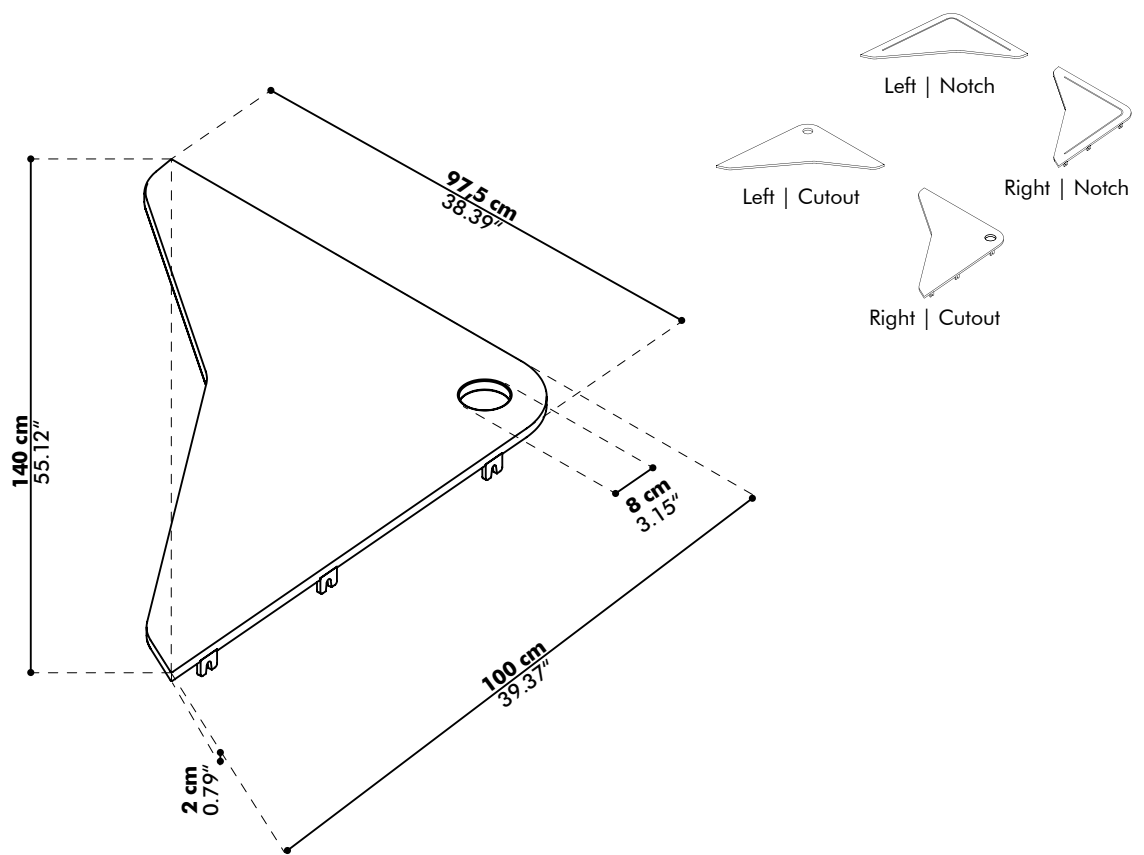
Flat Worktop	Small	Medium	Large
Width	115 cm 45.28"	155 cm 61.02"	195 cm 76.77"

* Only for M and L

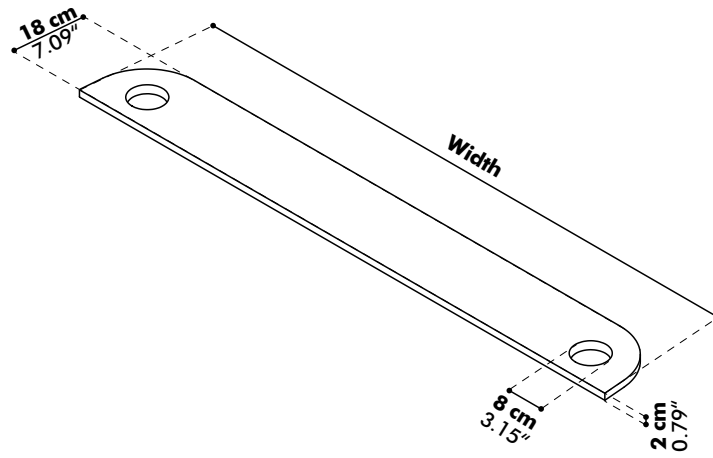
Shape Worktop Small



Triangle Worktop Small

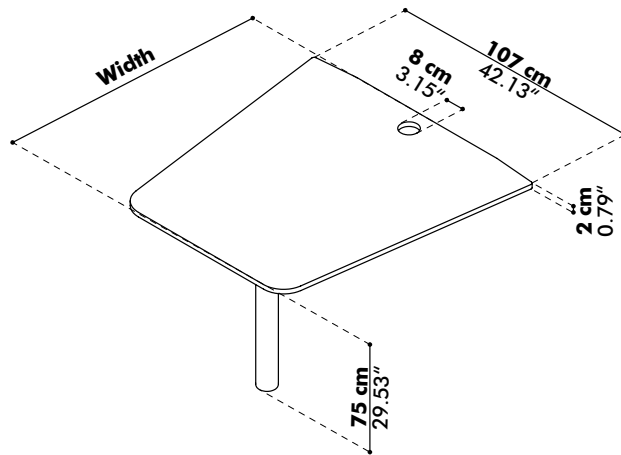


Tablet



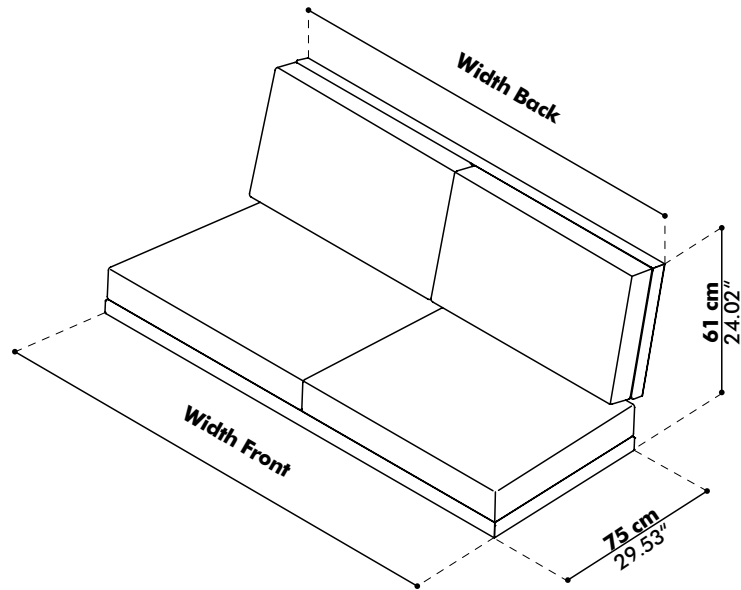
Tablet	Small	Medium	Large
Width	104,5 cm 41.14"	144,5 cm 56.89"	184,5 cm 72.64"

Club Worktop



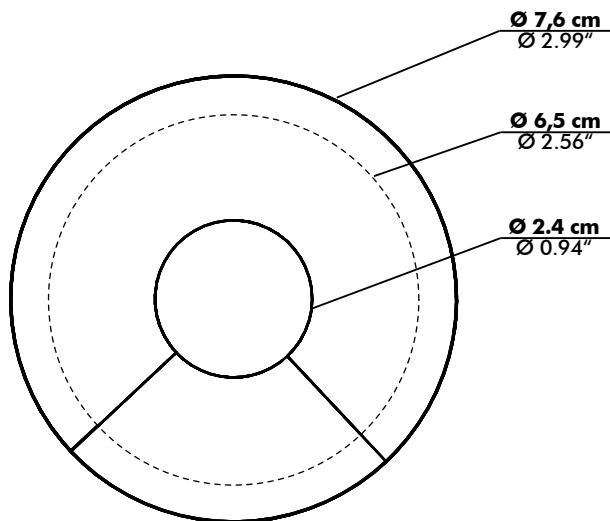
Tablet	Small	Medium	Large
Width	73 cm 28.74"	113 cm 44.49"	153 cm 60.24"

Bench



Bench	Small	Medium	Large
Width Front	120 cm 47.24"	160 cm 62.99"	200 cm 78.74"
Width Back	105 cm 41.33"	145 cm 57.09"	185 cm 72.83"

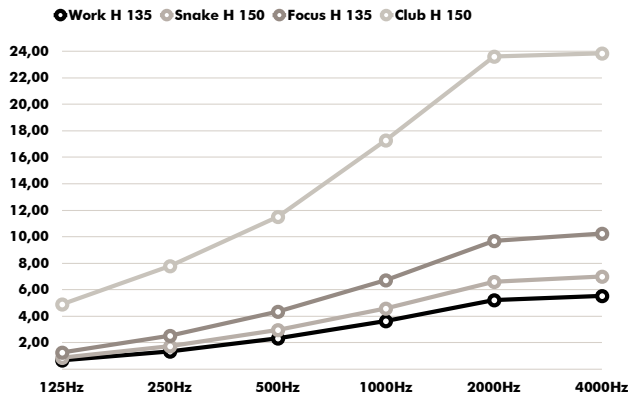
Grommet



Acoustics

BuzziVille Inspiration models

Equivalent sound absorption area in m² per object



Hz	Work H 135 Aeq/m ²	Snake H 150 Aeq/m ²	Focus H 135 Aeq/m ²	Club H 150 Aeq/m ²
125	0.68	0.86	1.26	4.90
250	1.36	1.73	2.52	7.80
500	2.34	2.98	4.35	11.50
1000	3.62	4.60	6.73	17.30
2000	5.21	6.62	9.68	23.60
4000	5.52	7.00	10.24	23.85

