

**LJ1**

Multipurpose Chair

**asset**  
space becomes place

# LJ 1

## PET Felt Arm Chair

Designer

Laurens van Wieringen

The seat of the LJ series is made out of recycled PET bottles, the design of the seat brings back many traditional production steps to one smart 3D pressing technique. PET Felt is recycled, recyclable and offers sound dampening properties and great comfort.



## Specifications

### Frame

Powder coated steel

### Seat

PET Felt

### Standard seat colour

Light grey, Dark grey

### Custom seat colour

Green, Dark Green, Olive, Marine, Pink, Turquoise, Beige, Brown

### Standard frame colour

Black, White

### Custom frame colour

Any RAL colour

## Ingredients

PET Felt seat

---

Powder coated steel

---

HDPE gliders

---

## PET Technology

PET Felt is made of recycled PET bottles which are turned into a soft, though strong Felt material, which is long lasting, UV stabilized and has great acoustic performance. PET Felt is both recycled as well as recyclable itself.

The design of the LJ Series brings back many traditional production steps to one smart 3D pressing technique.

|            |         |
|------------|---------|
| Martindale | Pilling |
| 100.000    | 3/4     |

### Note

PET Felt is made of recycled material. Different products may have different outcomes in the colour blend.

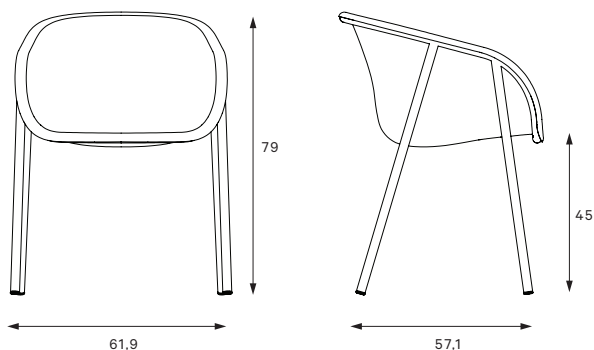
## Bespoke options

### All elements can be configured.

The options are there to make it blend in or stand out in any context.



## Measurements



Seat depth – 42 cm

---

Weight – 6,5 kg

---

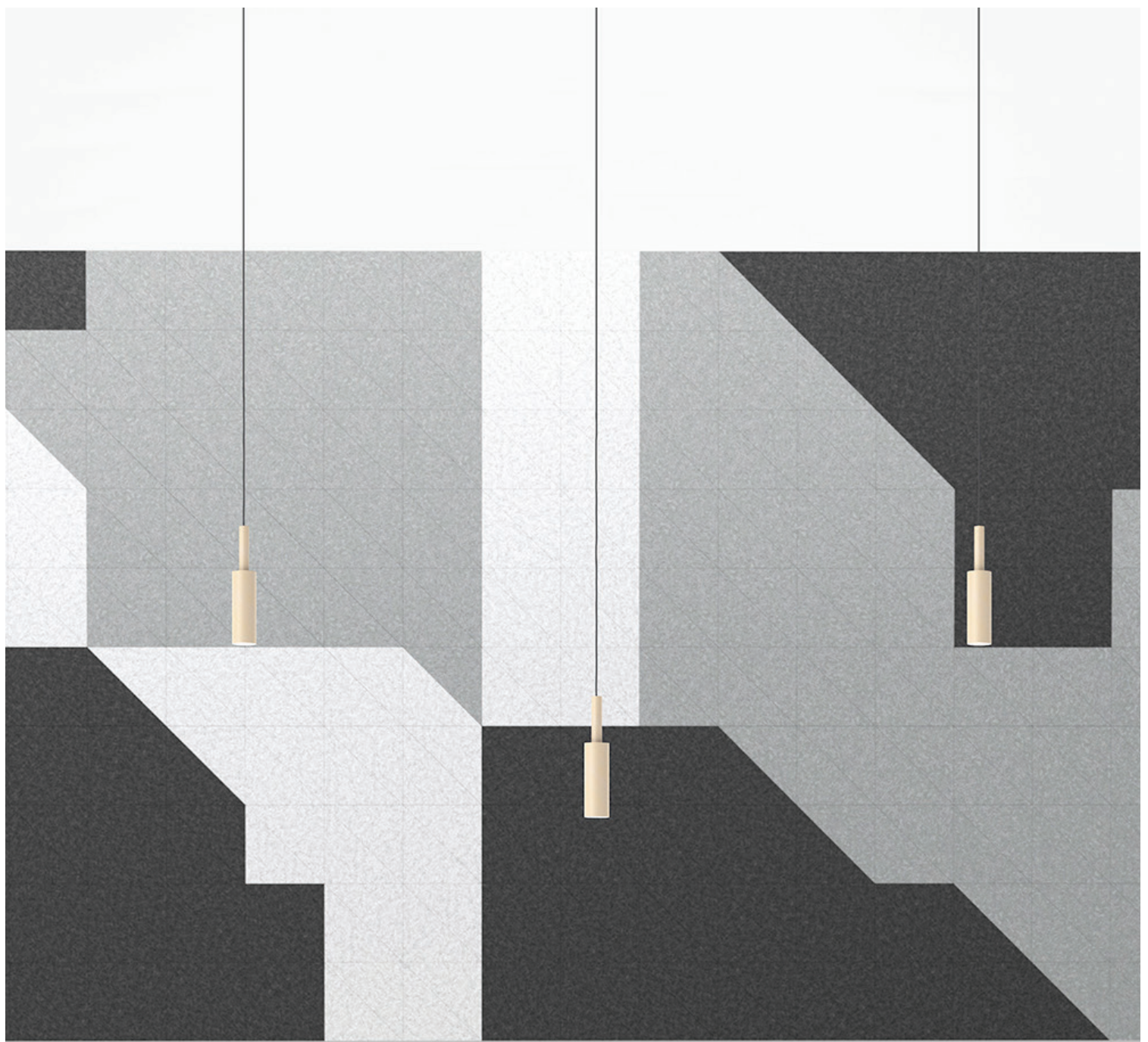
Carton box – 64,5 x 60 x 81,5 cm; 0,32 m<sup>3</sup>

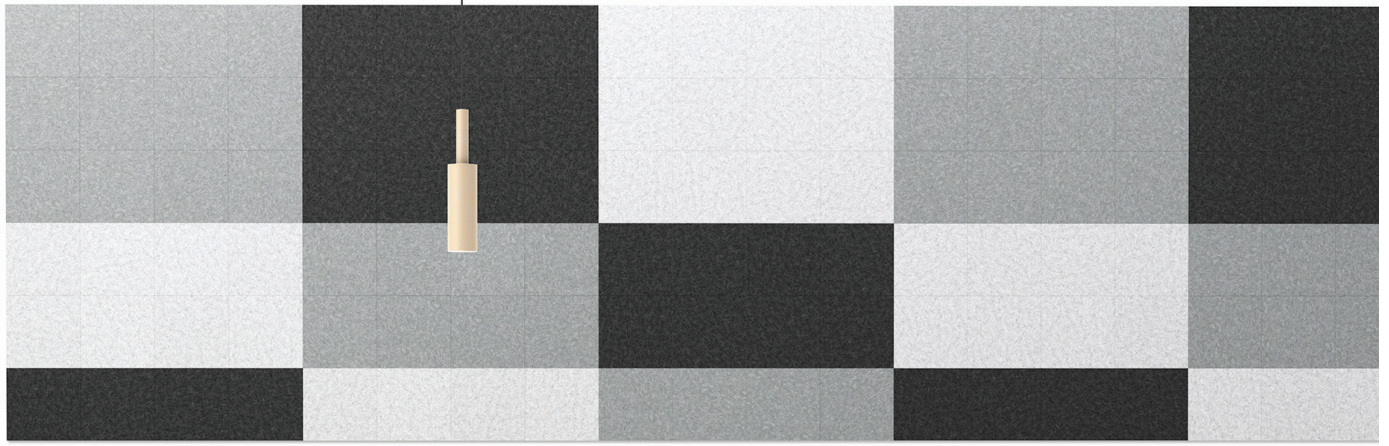
---

Package weight – 8,3 kg

---







Smart 3D pressing technique

---

Made of recycled plastic bottles

---

Recycled and recyclable

---

Highly customizable

---

Great comfort

---

Easy to clean

---

Winner of Interior Innovation Award

---



# DeVorm

## We create interior products by today's standards.

De Vorm is established in a new era, we develop products by the standards of today. This means we produce efficiently, use the full lifecycle of products and eventually give them a new life.

Our emphasis lies on making a product that works, by setting a variety of conditions; it should be legible, accessible, but also environmental friendly and aesthetically perfectly in balance.

## We like a product because of its functionality.

A good product makes life easier - it should be developed for helping us function better throughout the day. We firmly believe that the beauty of a design lies in the sum of functions that makes it a complete product.

## We continuously raise the bar.

From the very first sketches we start combining and developing new techniques to find new possibilities to innovate. Our design process is infused with technical development; techniques result in aesthetic features and the other way round.

Leemansweg 45  
6827 BX Arnhem  
The Netherlands

T +31(0) 268 200 360  
F +31(0) 313 696 159  
E [info@devorm.nl](mailto:info@devorm.nl)

[devorm.nl](http://devorm.nl)

