

Soji
Office Chair

asset
space becomes place

Soji

Overview

Content

- Value proposition
- Statement of line and Features
- Functions
- Colours and materials

Value Proposition



Why Soji ?

Thoughtful Design and Ergonomics

Built on a foundation of research, knowledge, and expertise, Soji embraces the relationship between the human body and chair to deliver exceptional comfort to just about anybody.

Effortless Support

Soji task chair offers support for a wide range of people, postures, and workstyles. With its host of ergonomic features and smoothly operating adjustments, Soji provides individualized ergonomic control to promote well-being.

Remarkably Efficient

Fit for applications from individual workstations and touchdowns to collaboration and conference rooms, Soji offers more options for organisations that are challenged by the need to support employee well-being while maximizing facility space and budget.

Statement of line and Features



Soji Statement of Line

Fit for a variety of applications Soji without **compromise on Design and Comfort**. With its high-quality materials in both fit and finish Soji makes a comfortable first impression and a durable lasting impression in any workspace.



Statement of line

Arms

- Armless
- Fixed (+)
- Height adjustable arm (+)
- 4D (+)

Seating Mechanism (synchronised)

- Fixed
- Seat depth adjustment (+)
- Seat depth adjustment + Forward tilt (+)

Seat height adjustment

Castors

- Hard castor
- Soft castor



Back

- Knitted mesh

Lumbar

- Without
- Height adjustable lumbar pad (+)

Seat pan

- Comfort foam
- Fire retardant (+)

Base

- Plastic
- Aluminium (+)

(+) upcharge

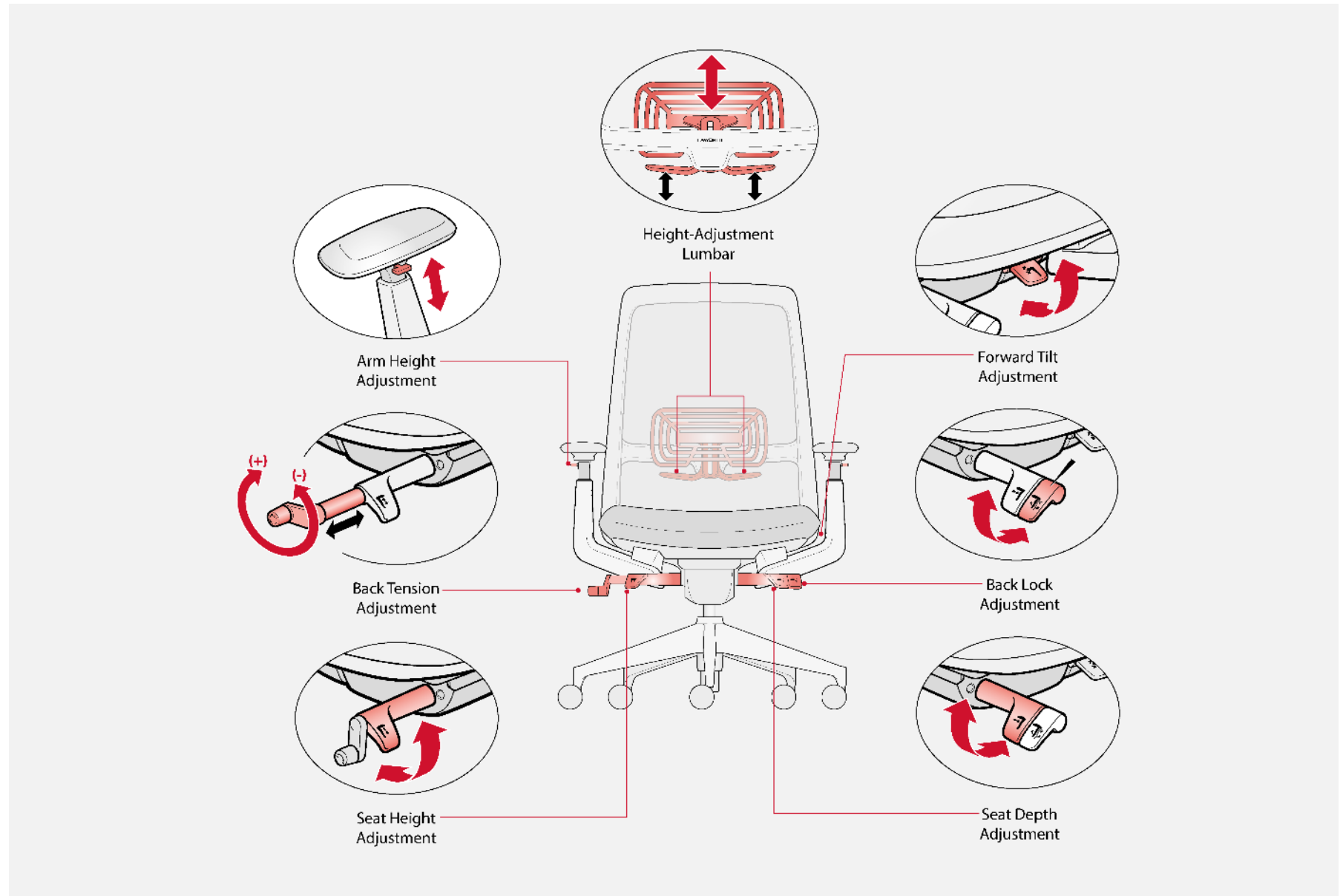
Key features

- Highly adjustable ergonomic task chair
- Designed for broad population of users
- Synchro mechanism with forward tilt for class leading ergonomics
- Soji knit cutting process avoids up to 14% material waste compared to traditional mesh
- Designed by Arne Dassen and Haworth Design Studio

Functions

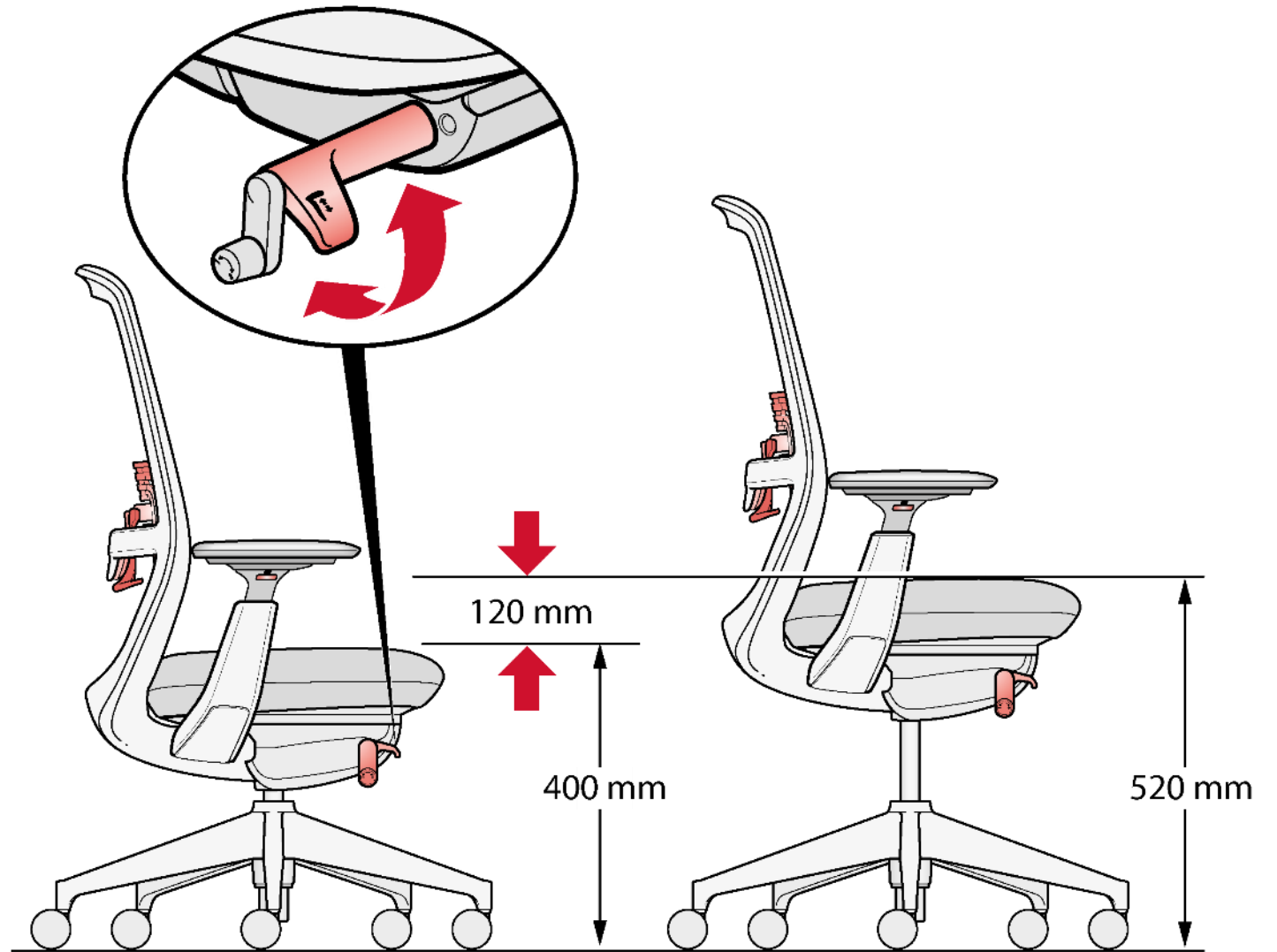


Function overview



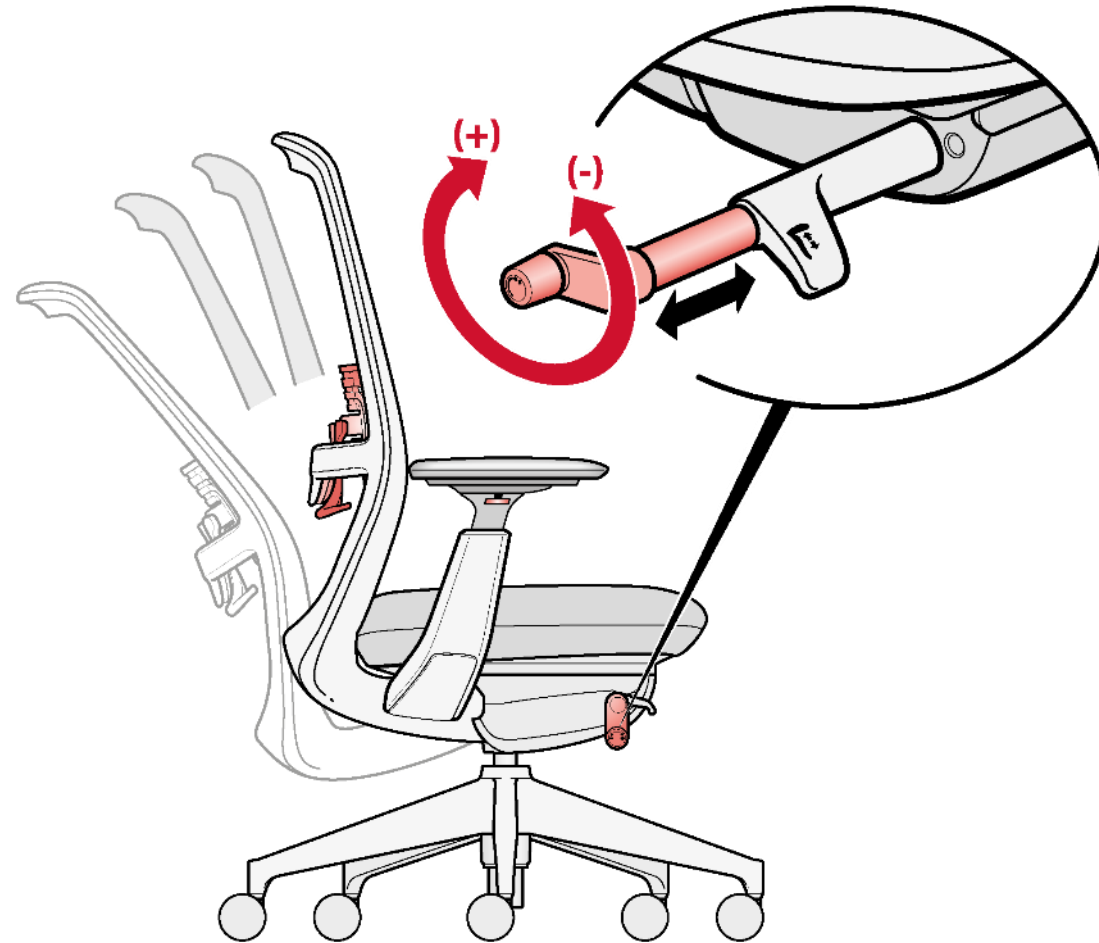
Seat height adjustment

- Pneumatic seat height adjustment.
- Seat height adjusts 120 mm from 400 mm to 520 mm on standard models.



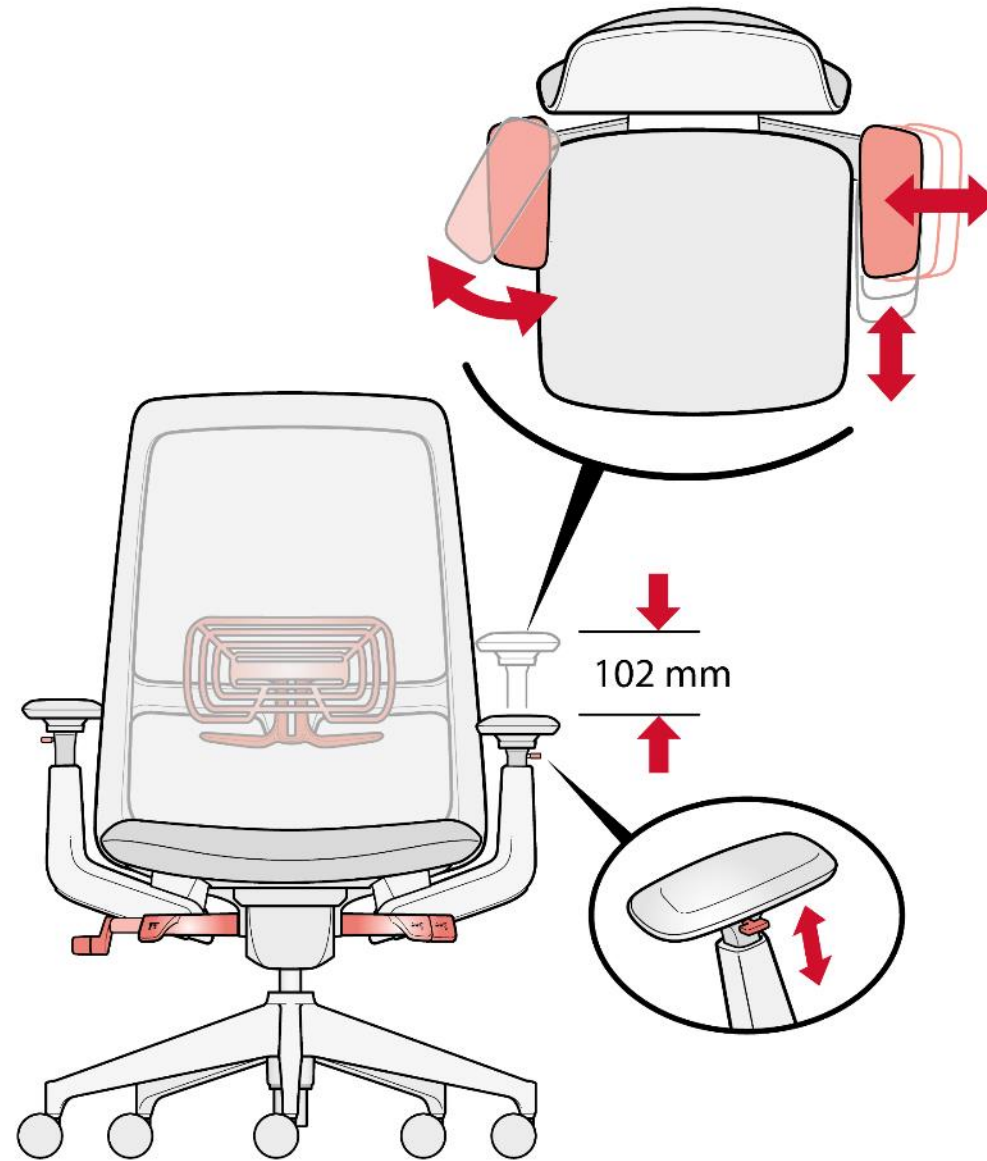
Back tension adjustment

- Regulates the amount of resistance felt when leaning back in the chair and the effort required to recline the chair backwards.



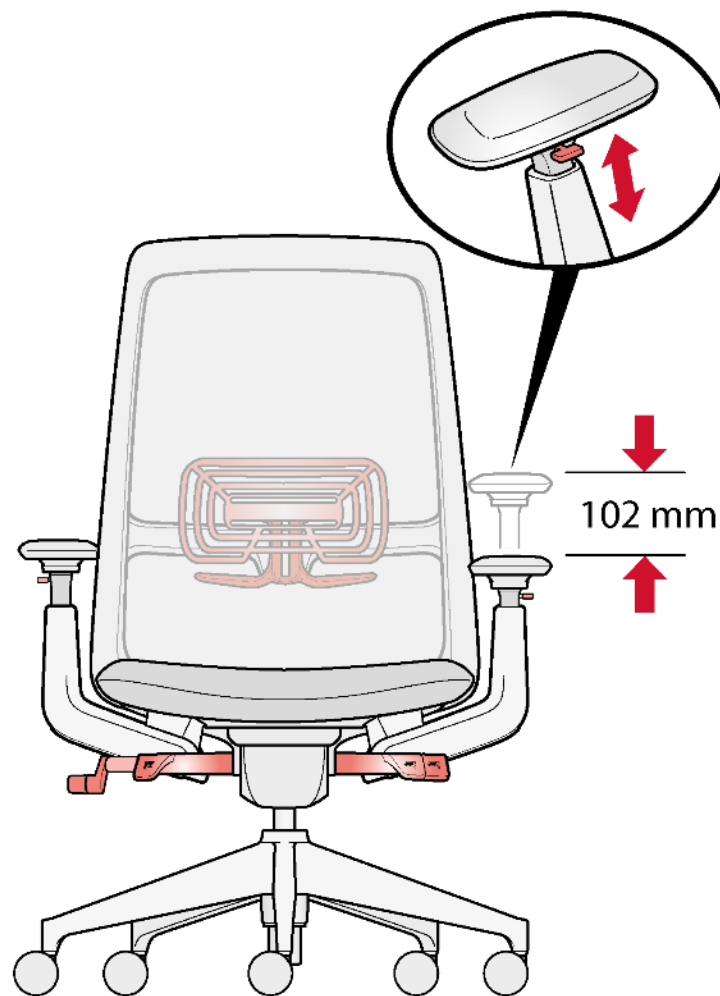
4D Arm adjustment (optional)

- Optional 4D arm adjusts in 4 ways:
- Height adjustment 102mm
- Side-to-side arm cap adjustment range: 76mm [38mm each arm cap]
- Front-to back adjustment range: 89mm
- Pivoting 20° in and 20° out



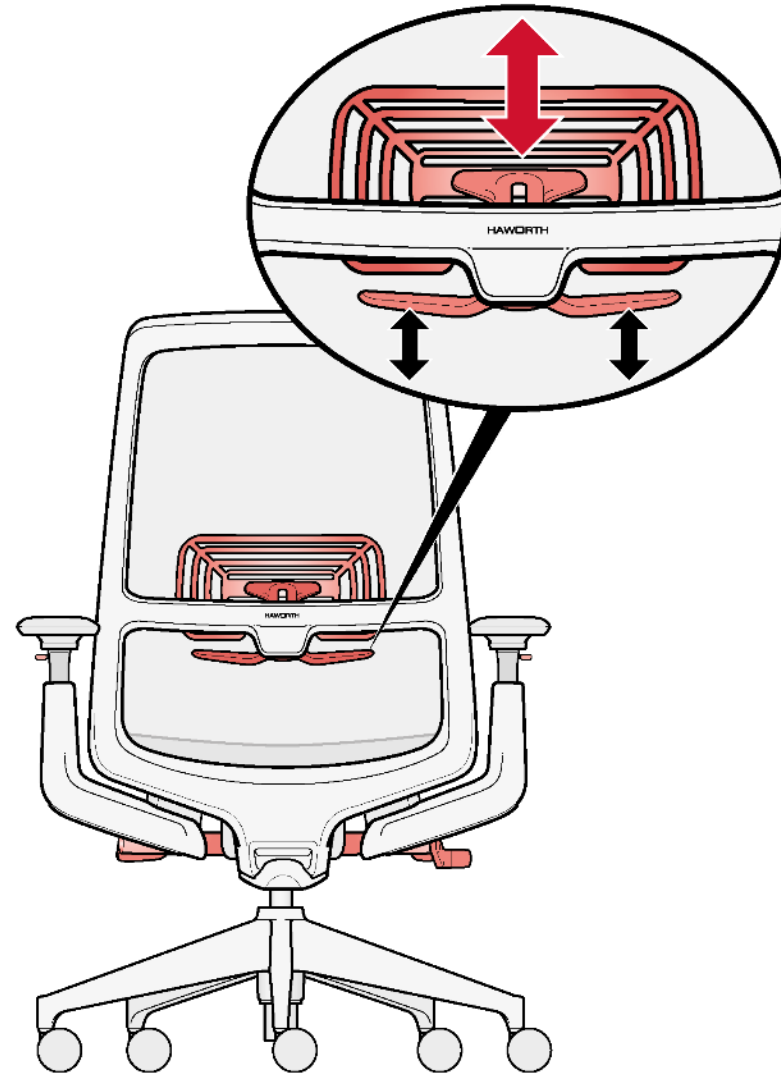
Height adjustable arm (optional)

- Optional height adjustable arms adjust 102 mm vertically.



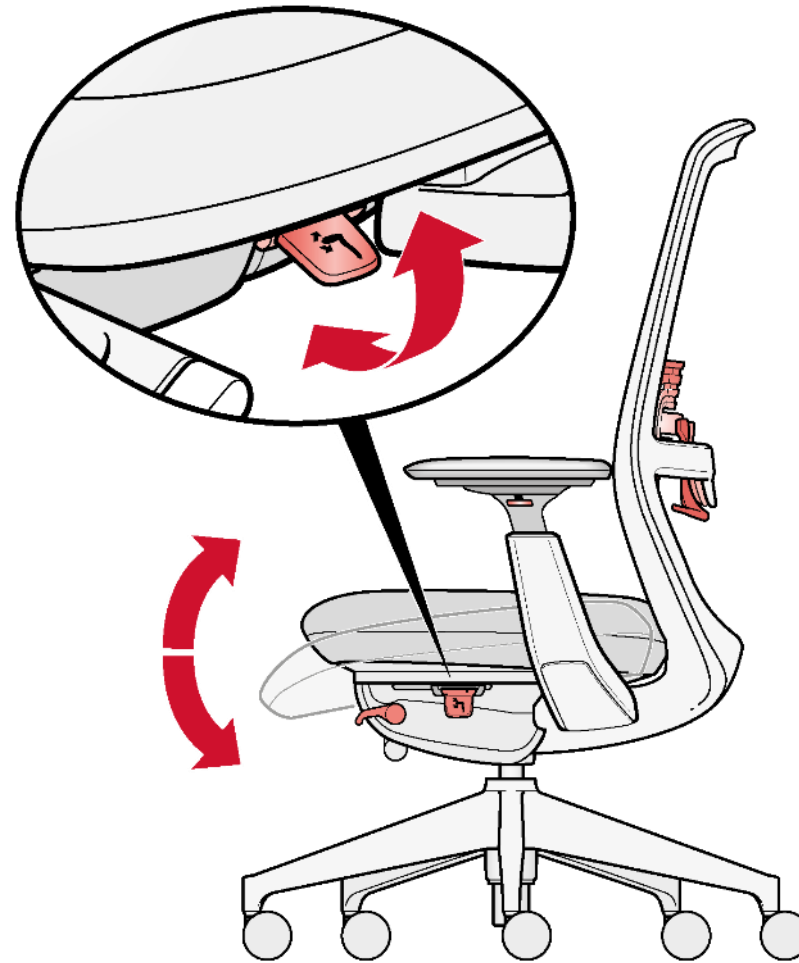
Lumbar support (optional)

- Optional height adjustable lumbar.
- Range of 89 mm of height adjustment.
- Available in Black or Fog.



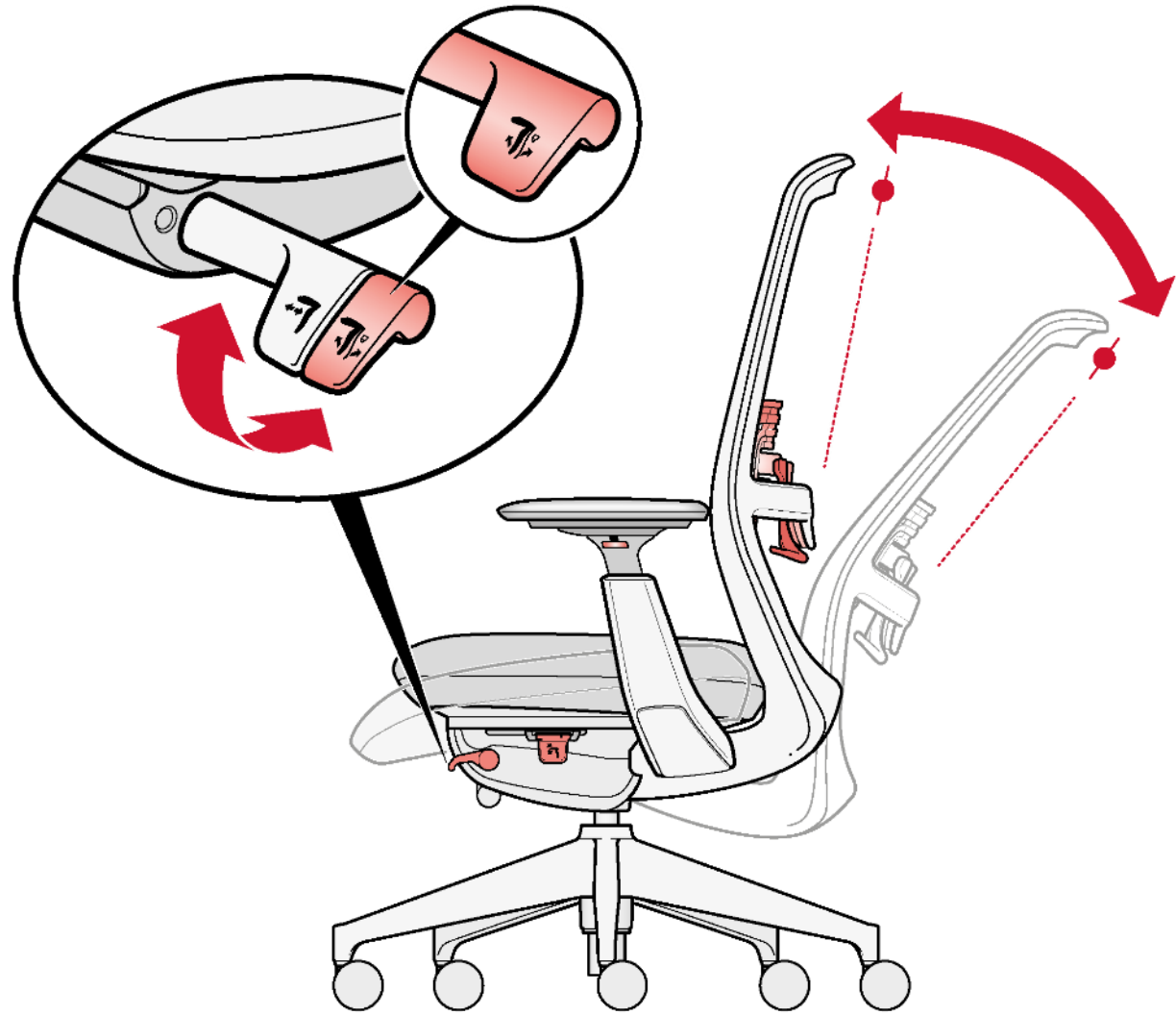
Forward tilt (optional)

- Optional forward tilt allows seat pan to move $-5,4^{\circ}$ downward from the initial position.



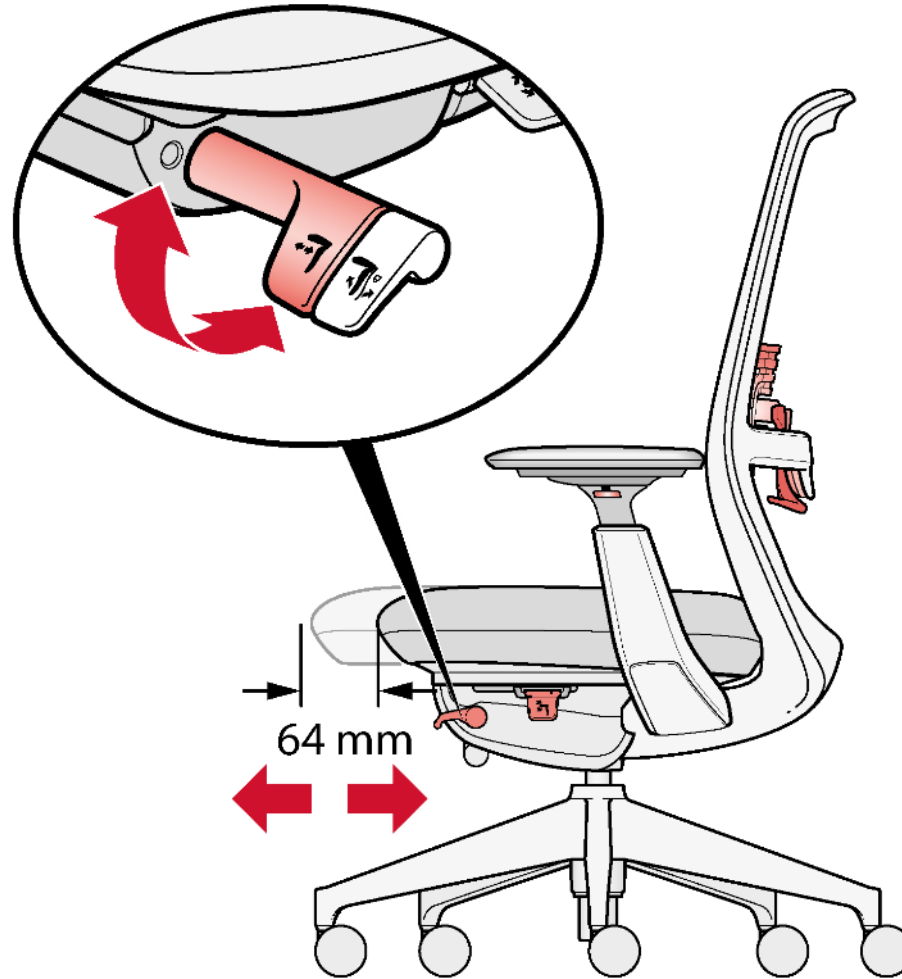
Back Lock

- Single position back lock.



Seat depth adjustment (optional)

- Optional seat depth has 64 mm seat depth range. Fixed seat also available.



Colours and Materials

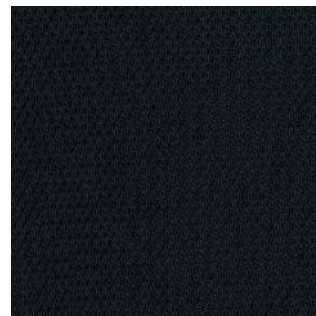


Colours & Materials Soji Knit Mesh

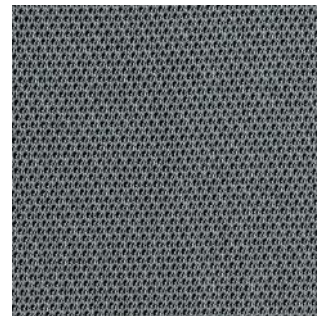
Available only for Soji task chair



Carbon
XT001



Navy
XT006



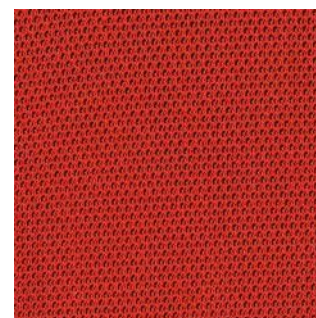
Mist
XT005



Clay
XT003



Juniper
XT004



Cayenne
XT002

Colours & Materials Finishes

Plastic Base



Black

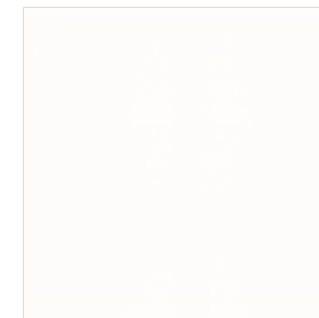


Fog

Plastic Frame

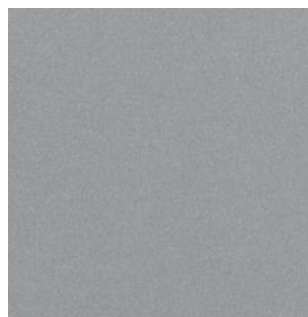


Black



Snow

Aluminum Base



Titanium



Structured Black



Polished Aluminium

Aesthetic Options



Frame
Black, Snow (+)

Back
Shrink knit Mesh:
Colours see next slide

Height adjustable lumbar support(+)
Black, Fog

Seat pan
Colours see next slide

Base
Plastic: Black, Fog
Aluminium: Titanium
Structured Black
Polished Aluminium (+)

Mechanism and cover
Black

Castors
Hard Castor Black / Grey
Soft Castor Black / Grey

Arm caps
Black, Fog

Arm Uprights
Black, Snow

Colour Details

Plastic frame	Lumbar	Arm caps	Base	Mechanism	Inner back frame	Castors
Black	Black	Black	Plastic Black Plastic Fog Powder coated aluminium Titanium Powder coated aluminium	Black	Black	Black hard castor for carpet Black soft castor for hard floor Grey hard castor for carpet Grey soft castor for hard floor
Snow	Fog	Fog	Structure Black Polished Aluminium	Black	Fog	

Colours & Materials Seat upholstery



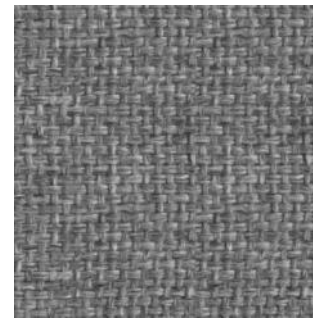
Felicity (Coll. 34)



Convert (Coll. 50)



Xtreme (Coll. 82)



King L Kat (Coll. 63)



Maya (Coll. 66)



Skai Evida (Coll. 51)



Blazer (Coll. 61)



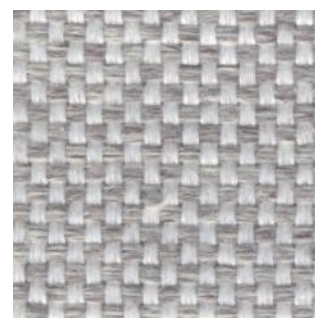
Small Arrow



Remix (Coll. 65)



Diagonale



Class (Coll. 68)



Atlas - NEW



Big Arrow



Steelcut Trio
(Coll. 58)

HAWORTH

Thanks

January 11, 2022

