

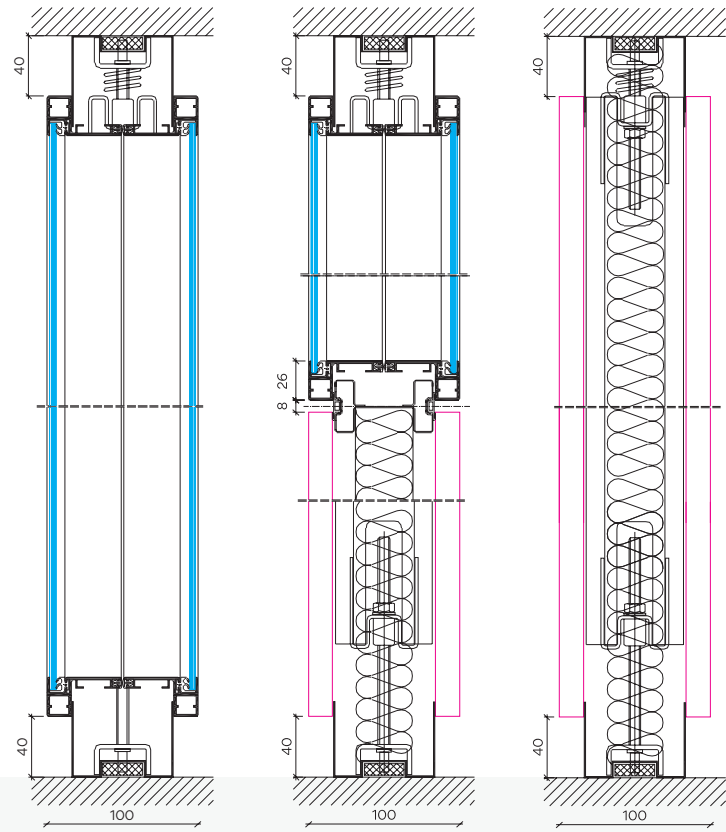
T100
Sections & Joints

asset
space becomes place

PARTITION

VERTICAL SECTIONS

T 100
DIVIDING FOR RATIONALIZATION



DOUBLE GLAZED

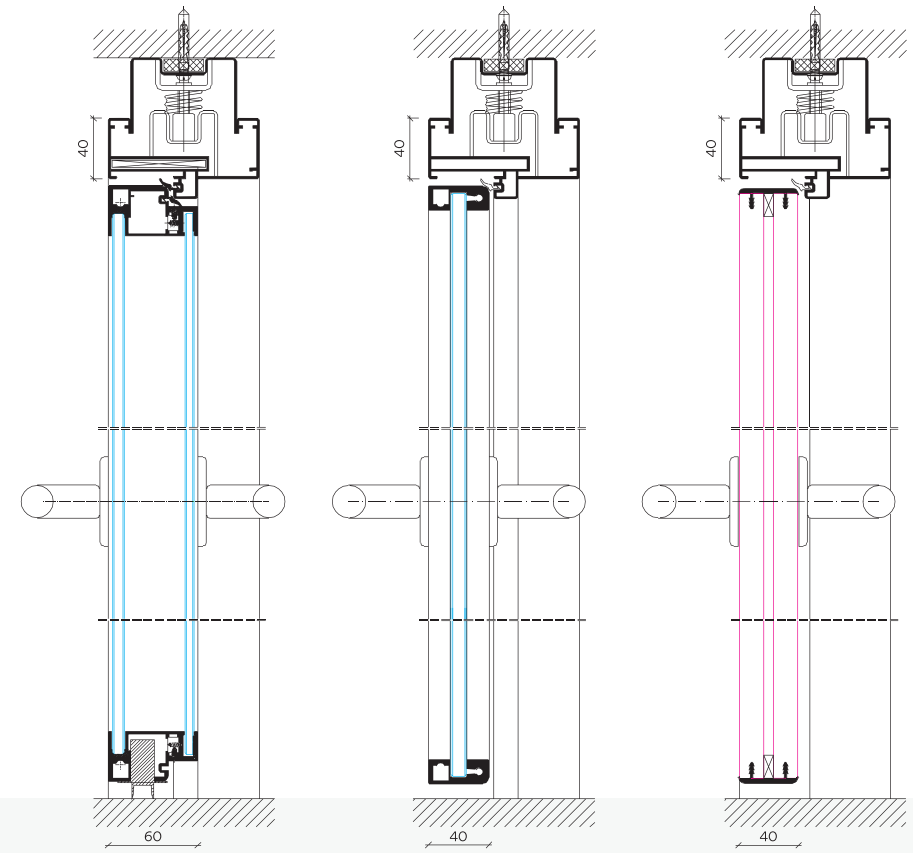
COMBINATION OF
DOUBLE GLAZED & SOLID

SOLID

DOOR

VERTICAL SECTIONS

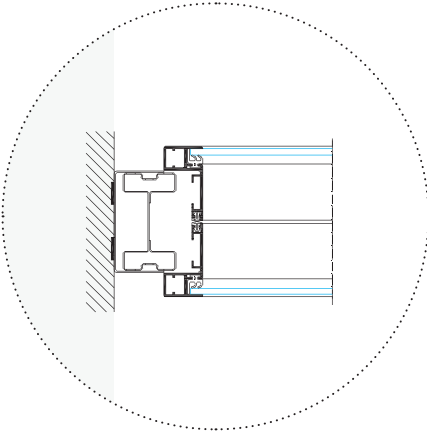
T 100
DIVIDING FOR RATIONALIZATION



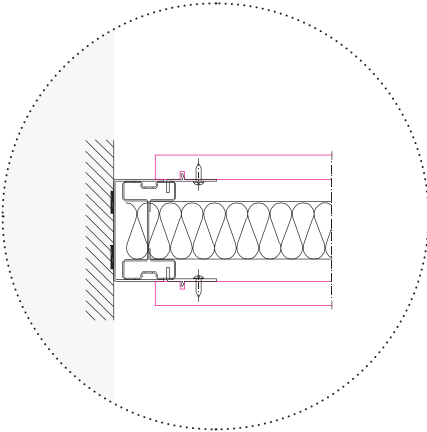
DOUBLE GLAZED DOOR

SINGLE GLAZED DOOR

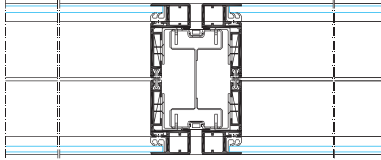
SOLID DOOR



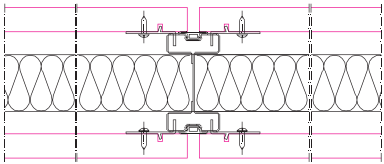
WALL CONNECTION



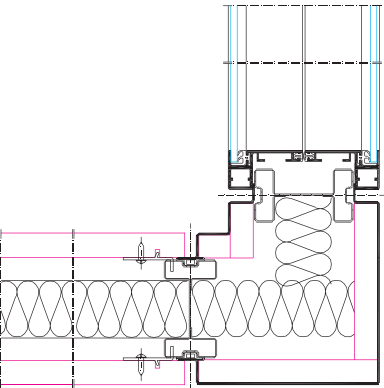
WALL CONNECTION



DOUBLE GLAZED JOINT



SOLID JOINT



DOUBLE GLAZED / SOLID 2-WAY JOINT

