

**Hari**  
Multipurpose Chair

**asset**  
space becomes place

TECHNICAL CHARACTERISTICS

SHAREBTD

# Hari

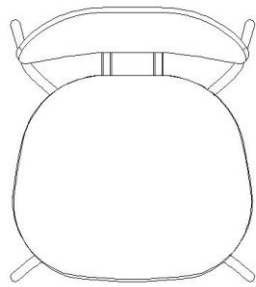
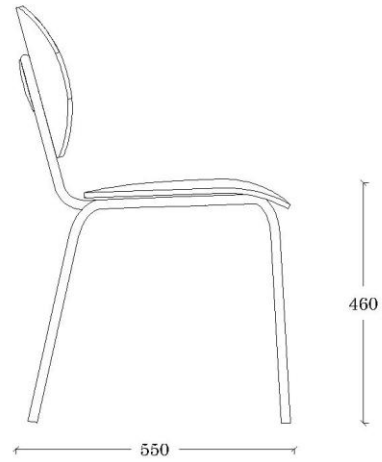
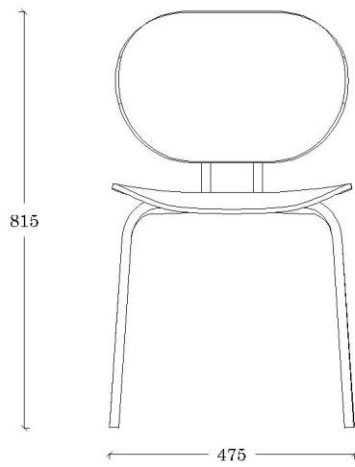
## Chair

A chair, inspired by the world of textile looms, with a very industrial aesthetic combined with the delicacy of the threads to create a subtle and elegant chair.

DESIGNED BY ESTUDIOHAC



**ondarreta**



### DIMENSIONS

47,5 cm x 55 cm x 81,5 cm x 46 cm (18,7" x 21,7" x 32,1" x 18,1") [width x depth x height x seat height]

### WEIGHT

6,05 kg (13,4 lb)

### PACKAGING

Two chairs per box.

Box dimensions:

100 cm x 56,3 cm x 60,6 cm (39,4" x 22,2" x 23,9")

### CERTIFICATION

Product tested under the European standard EN 16139:2013, category of general use L2.

### ACCESORIES

Felt glides

### OPTION

Exterior

### STACKABILITY

Up to 5 units

### ORIGIN

100% Made in Europe

### DESIGN

estudi{h}ac



## **COMPONENTS**

### **FRAME**

#### **Material**

18 mm (0.7") side and 2 mm (0.08") thickness cold laminated E-220 quality (EN-10305 Normative) steel tube.

Tensile Strength > 310 N/mm<sup>2</sup> (44,960 psi);

Elastic Limit > 220 N/mm<sup>2</sup> (31,900 psi); Elongation > 23%

#### **Finish**

Colour epoxy, for the outdoor option epoxy color with outdoor coating treatment.

### **SEAT**

#### **Oak**

Oak wood on Beech plywood, 10 mm (0.4") thick. It's made with especially treated sheets, glued, pressed and CNC machined.

#### **Fabrics**

10 mm (0.4") thick Beech plywood. It's made with especially treated sheets, glued, pressed and CNC machined.

Exclusive and unique upholstery system that allows the fabric a perfect adherence to the seat, maintaining the own chair's shape. Medium density polyether stuffing foam.

#### **Textured polypropylene**

Textured matt copolymer. Very good mechanical properties, light and UV ray resistant.

Check for fireproofing

Density (s / ISO 1183): 900 kg / m<sup>3</sup>

Yield stress (s / ISO 527-1 / -2): 23 N / mm<sup>2</sup>

Flexural modulus (s / ISO 178): 1100 N / mm<sup>2</sup> (23 ° C)

#### **Finish**

Stained oak, fabric, matt textured polypropylene.

### **BACK**

#### **Beech**

Beech plywood, 10 mm (0.4") thick. It's made with especially treated sheets, glued, pressed and CNC machined.

#### **Oak**

Oak wood on Beech plywood, 10 mm (0.4") thick. It's made with especially treated sheets, glued, pressed and CNC machined.





### **Fabrics**

10 mm (0.4") thick Beech plywood. It's made with especially treated sheets, glued, pressed and CNC machined.

Exclusive and unique upholstery system that allows the fabric a perfect adherence to the back, maintaining the own chair's shape. Medium density polyether stuffing foam.

### **Textured polypropylene**

Textured matt copolymer. Very good mechanical properties, light and UV ray resistant.

Check for fireproofing

Density (s / ISO 1183): 900 kg / m<sup>3</sup>

Yield stress (s / ISO 527-1 / -2): 23 N / mm<sup>2</sup>

Flexural modulus (s / ISO 178): 1100 N / mm<sup>2</sup> (23 ° C)

### **Finish**

Stained beech, stained oak, fabric, matt textured polypropylene.



### **SEAT PAD**

For pieces with upholstered or wood seat a black piece made of recycled polypropylene is used, that fits at the bottom of the seat.

### **BUTTON**

#### **Material**

Zamak button: zinc, aluminium and copper alloy. Complying with ISO 301-81, s/n UNE-EN-1774.

#### **Finish**

Colour epoxy (the same as the frame).

### **METAL FINISHES**

#### **EPOXYS**

Powder covering formulated with polyester resins, with good both mechanical and chemical properties, outdoor maximum resistance and noxious compounds free. Electrostatic application and oven cured at 200°C (392°F). Treatment option for outdoor protection.

#### **Technical characteristics:**

Thickness (ISO 2360): between 60 and 90 µm.

Adherence (ISO 2409): Grade: 0 (maximum adherence)

### **WOOD FINISHES - BACK**





## **STAIN**

Pigmented enamel with a transparent stain coating.  
Reactive drying paints: excellent adherence between layers and better mechanical resistance.

## **Technical characteristics:**

Satisfying UNE-EN 71-3 normative; Formaldehyde free compounds.

## **COM REQUIREMENTS**

Seat fabric: 50 cm (19,7")

Full fabric (seat + back) : 90 cm (35,4")

