

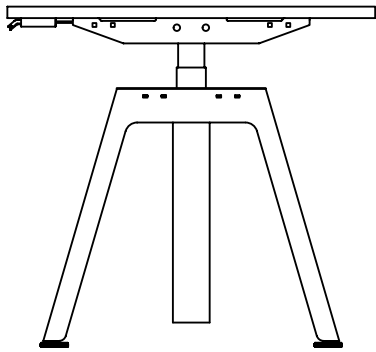
Plus
Sit & Stand Desk

asset
space becomes place

balma

PLUS

DESK WITH ELECTRIC HEIGHT ADJUSTMENT



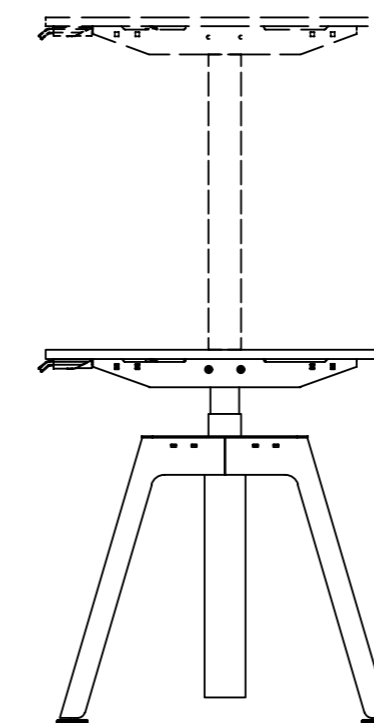
User Manual

1. Electric height adjustment	3-6
1.1 Technical information	
1.2 Getting started	
1.3 Changing position reminders (from sitting to standing or vice versa)	
2. Safety instruction	7-8
3. Troubleshooting	9

1. Electric height adjustment

LINAK lifting system

Your desk is equipped with an intuitive desk panel designed to make the use simple and easy and to enable you staying active during the whole working day. Find out how to use it, how to save your own preferences for sitting/standing working positions, how to receive reminders, when to stand up and also how to combine your desk and Desk Control™ application and observe your personal statistics. Let's get started then!



1.1 Technical information

- Max. load: 160 kg
- Max. speed: 38 mm/s without load
- Standard length of stroke: 650 mm
- Low noise level
- No harmful PCW
- Smooth Start/Stop
- Advanced anti-collision PIEZO and LINAK Desk Sensor™ 1 support
- Duty cycle: 10% ≈ 2 minutes of continuous use at full load followed by an 18-minute break
- Compatible with Linak Desk Control™ application
- In standard version DPG1M remote, in higher version DPG1C remote with display – for an additional fee

1.2 Getting started

First run

Each time the desk is disconnected from the power supply, it must be reset when reconnected. This will ensure proper functioning. In order to do so, lower the desk top to the lowest setting and hold the panel in this position for a few seconds until the desk makes a delicate movement up and down. Your desk is ready to go!

Desk adjustment

It's enough to reach the panel with your hand and delicately move the whole panel – up or down – and your desk will get lifted or lowered respectively. Hold the panel until the desk is at the height preferred by you.

If you set the preferred height, the desk will automatically stop for about 1 second once it reaches this height. If you keep pressing the panel, the desk top will continue to move until you release the pressing.

Set the correct height of your desk

In case the display (remote in DPG1C version) doesn't show the correct height of the desk or if you wish to change the measurement unit from inches to centimetres and vice versa that can be corrected.

Saving your preferred working positions of sitting/standing

On the panel two different desk heights can be saved in memory. Thanks to that, your desk will always be at your preferred height – when you sit or stand – and will always ensure the optimal ergonomics of work.

In order to save the position of the desk in memory, start with moving it to the desired position. Next, look at the edge of the desk panel. On the right-hand side you'll see a button with an asterisk ★. Hold the button while it's pressed for 2 seconds. While saving it in memory LED diode will flash two times. When the LED diode starts emitting white, continuous light it means the current position of the user has been saved in memory and you can release the button.

On desk panel display (remote in DPG1C version) an asterisk and the number indicating place/number of the saved position will appear, e.g. ★1.



In order to save more positions in memory, it's enough to repeat the process

You can select the order of your preferred positions. Adjust your desk to the preferred height – next, press the button with an asterisk and switch between the saved positions. When you reach the desired number (e.g. ★ “asterisk” 3) press and hold the button for two seconds. Now this desk height will be saved in memory as the preferred one as ★“asterisk”3.

Reset saved positions

In order to delete all the saved positions, press and hold the button with the asterisk ★ for eight seconds. When the light bar on the panel edge flashes red, it means this activity has been completed. Now you can start at the beginning and save the new positions.

Setting desk in saved positions

When one or more preferred positions are saved, setting the desk and switching from one position to another one is really easy. Press and move the desk panel – up or down – and keep pressing until the desk stops in the position which has been saved in memory. It allows for changing the position from sitting into standing (and back) without having to observe the desk panel.

Use the automatic drive (optional function)

If that's the full version of the desk panel, the desk can automatically switch from one preferred position to another one (“automatic drive”). This function can be activated by connecting the desk to Desk Control application.

Now it'll be enough to press the panel two times up or down and the desk will move to the closest saved position. In order to interrupt or stop this movement before the panel arrives at the saved position, it's enough to move/press the desk panel again and the desk will stop immediately.

1.3 Reminding function to change the sitting/standing position

Are you ready to move? Get the reminders to change your position from sitting to standing or vice versa.

Do you want to get reminders to stand up and take care of your health during the day? This desk panel has this reminding function – it's LED diode which will show you when you need to stand up:



Green – indicates you're maintaining balance – no need to stand up yet!

Orange – move up your desk – it's time to stand up!

When you change your position, orange will change into green.

You can determine time intervals between changing your position

You can decide how often you wish to receive reminders when you should stand up and how long you should stand. The originally designed intervals are available if you want to make use of them. But you can always set your own ones. We recommend standing up every hour and remaining in the standing position for five minutes. Later on, this time may be extended to 10 or 15 minutes.

Note! Too much standing isn't recommended either. It's the change of the position from sitting to standing that you'll benefit from.

How to set reminders

Press ▲ in order to select one of the three time intervals. The intensity of LED light will indicate the time interval you've selected:

- Time interval 1 (low intensity of LED diode):
"Remind me after 55 mins. in a sitting position"
- Time interval 2 (medium intensity of LED diode):
"Remind me after 50 mins. in a sitting position"
- Time interval 3 (high intensity of LED diode):
"Remind me after 45 mins. in a sitting position"

By default desk panel is set to "time interval 1." If the white light isn't visible, it means the reminding function has been switched off.

Getting connected to application

If you wish to design your own time intervals, download Desk Control TM application onto your smartphone.

How to obtain connection

Hold the pressed Bluetooth® button for 2 seconds to start the matching mode. LED diode will be blue. Open Desk Control application and search for your desk on the "Desks nearby" list.

Reset

In order to reset the desk panel, there are three options available:

- Reset the positions saved
Press and hold the asterisk button ★ for 8 seconds until the lamp starts flashing red.
- Reset reminders
Press and hold the ▲ button for 8 seconds until the lamp starts flashing red.
- Reset factory settings
Press and hold the asterisk button ★ and ▲ button for 8 seconds until the lamp starts flashing red.

2. Safety instructions

IMPORTANT INFORMATION

Important information concerning LINAK products may be indicated with the following pictograms:



Warning:
Failure to follow the instructions below may result in injury.



Failure to follow the instructions below may result in a complete damage to the actuator.

GENERAL

Safe use of the systems is possible only after having read the user manual and when the recommendations contained in the manual are followed. Failure to follow the instructions marked as "IMPORTANT" may result in serious damage to the system or one of the components.



It is crucial that every person involved in the installation or operation of the system has all the necessary information and has access to the user manual. Please follow the assembly instructions – otherwise there is a risk of injury.



The application is not intended to be used by children or unauthorised persons without supervision.



In case of a visible defect of the product or damage to the product, do not instal it.



Make sure that when building the application in which the actuator is installed there is no risk of injury to people, e.g. crushing fingers or arms.



Provide clear space for the application to move in both directions and to avoid collisions.

Before installation, reinstallation or solving the problem:

- Stop the actuators
- Disconnect the power and pull out the power cord
- Take any load off the actuators

Before use:

- Make sure the system is installed according to the user manual
- Make sure the control box has the appropriate voltage before it is connected to the main power supply
- System connection. The individual parts must be connected before the control box is connected to the main power supply
- See the user manual for LINAK actuators

During use:

- Immediately unplug the control box if you notice any unusual sounds coming from the control box or odours
- Make sure the cables are not damaged
- Disconnect power cords from mobile equipment before moving it

Miscellaneous:

In typical applications the noise level of actuator is below 55dB(A).

Improper use

The actuator should not be overloaded – it may cause the risk of injury or damage to the system.



Do not use actuators to lift people. It is forbidden to sit or stand on the table while the actuators are operating – the risk of injury.



Do not use actuators in an environment different than originally planned, it is for indoor use only.

Repairs

In order to avoid the incorrect operation of actuator, all repairs within DESKLINE® segment must be carried out by LINAK workshop or authorised workers as the repairs require using special tools or proper parts. The units subject to warranty must be returned to authorised LINAK workshop.

Warning:

In case of opening any products from DESKLINE® segment there's a risk of incorrect operation later on.

Warning:

In the systems of DESKLINE® segment no other lubricating or cooling materials may be used.

3. Troubleshooting

PROBLEM	CHECK	TRY
Desk top doesn't move!	Is control box powered? Are all connectors correctly connected with control box and columns? Are there any visible signs of damage on cables, remote control or columns?	Plug a lamp or another device into power socket to make sure this power point is working. Check all connections. All the damaged parts should be exchanged. Contact the furniture supplier.
Desk top stops and can move only in the opposite direction!	Did the desk top not reach the highest position? Is the desk top not more overloaded compared to the time it worked properly?	When the desk top reaches the highest position, it's only possible to lower it. Take the load off the desk top and try again.
Desk top moves only downwards, although there isn't any load on it!		Reset the system.
Desk top doesn't go up to its highest position. It stops each time at the same height!		The system has registered a new end position. The system must be reset to delete the new stopping point.
Desk top doesn't move. No movement can be seen!	Isn't the remote or control box broken? Is there still a connection between control box and columns? Is the power cable still connected? Is the power cable live?	Check all the connections. Check if the power cable is plugged in. Connect the remote which you know is definitely working. If that solves the problem, it means the remote is broken. If that doesn't help, it means control box is broken. Replace the faulty devices with the fully working ones.
Only a part of the column folds while lowering desk top!	The columns which don't fold are broken or there's a break-down of the connection between the columns and control box.	Replace the cable. If that doesn't solve the problem, replace the column.
Desk top is in the lowest position and doesn't move up!	The desk top is overloaded. The columns are broken or there's a break-down of the connection between the columns and control box.	Take the load off the desk top. Disconnect all the cables from control box. Connect separately each single column back with the channel 1, carry out reset, and next, slightly lift the desk top. If any of the columns doesn't get extended after resetting, it means this column is broken. Before replacing the column try to replace the cable.

balma

FABRYKA MEBLI BALMA S.A.
UL. POZNAŃSKA 167
62-080 TARNOWO PODGÓRNE
POLAND

T: +48 61 89 66 400
E: export@balma.pl

www.balma.eu
